

## Data sheet for SIMOTICS S-1FK2

Article No. : 1FK2204-6AF00-1MB0

Client order no. :  
Order no. :  
Offer no. :  
Remarks :

Item no. :  
Consignment no. :  
Project :



Figure similar

### Basic motor data

Motor type	Permanent-magnet synchronous motor, Natural cooling, IP64
Motor type	Compact
Static torque	3.20 Nm
Static current	3.0 A
Maximum torque	9.50 Nm
Maximum current	9.9 A
Maximum speed	7,600 rpm
Rotor moment of inertia	1.6100 kgcm <sup>2</sup>
Weight	3.5 kg

### Rated data

SINAMICS S120, BLM/SLM 3AC 400V

Rated speed	3,000 rpm
Rated torque	3.20 Nm
Rated current	3.0 A
Rated power	1.00 kW

### Encoder system

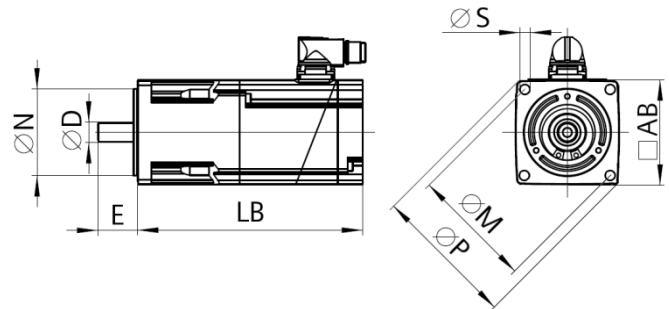
Encoder system	Encoder AM22DQC: Absolute encoder 22 bit + 12 bit multiturn
----------------	---

### Motor connection

Connection type	Double cable connection for S120
Connector size power connector	M17
Connector size signal connector	M17

### Mechanical data

Design acc. to Code I	IM B5 (IM V1, IM V3)
Vibration severity grade	Grade A
Shaft height	40
Flange size (AB)	80 mm
Centering ring (N)	70 mm
Hole circle (M)	90 mm
Screw-on hole (S)	6.5 mm
Overall length (LB)	144 mm
Diameter of shaft (D)	19 mm
Length of shaft (E)	40 mm
Length of flange diagonal (P)	105 mm
Shaft end	Fitted key
Color of the housing	Standard (Anthracite, similar to RAL 7016)



# TURLL

YOUR GLOBAL AUTOMATION PARTNER

## 1FK2204-6AF00-1MB0-S1FK2-CT

OFFICIAL DATASHEET & QUOTATION

- 100% New & Original Factory Sealed
- Global Express Shipping (DHL/FedEx/UPS)
- 12-Month Warranty Protection
- Professional Technical Support

[CHECK STOCK & PRICE](#)



Need Assistance? Scan to Chat on WhatsApp

sales@turl.com | +852 6339 7344