



Monitoring relay, can be mounted to Contactor 3RT2, Size S0 standard, digitally adjustable Apparant/active current monitoring 4...40 A, 20...400 Hz, 3-phase Supply 24-240 V AC/DC 1 change-over contact, 1 semiconductor output for alarm and warning Monitoring for Current overshoot and undershoot Phase failure, Cable break Phase sequence Residual current Blocking current Warning and alarm thresholds with or without fault buffer ON delay 0-99 s Noise pulse suppression 0-30 s Pause after fault 0-300 min Screw connection system

product brand name	SIRIUS
product designation	Monitoring relays
design of the product	digitally adjustable, 3-phase current monitoring
product type designation	3RR22
General technical data	
size of contactor can be combined company-specific	S0
operating apparent power rated value	4 VA
insulation voltage for overvoltage category III according to IEC 60664	
• with degree of pollution 3 rated value	690 V
surge voltage resistance rated value	6 kV
consumed current	
• at 24 V	90 mA
• at 240 V	12 mA
protection class IP	
• on the front	IP20
• of the terminal	IP20
shock resistance	15g / 11 ms
vibration resistance	10 ... 55 Hz / 0.35 mm
mechanical service life (operating cycles) typical	10 000 000
electrical endurance (operating cycles) at AC-15 at 230 V typical	100 000
reference code according to IEC 81346-2	K
relative repeat accuracy	2 %
Substance Prohibitance (Date)	10/01/2009
SVHC substance name	Lead - 7439-92-1 Lead monoxide (lead oxide) - 1317-36-8 2,2',6,6'-tetrabromo-4,4'-isopropylidenediphenol - 79-94-7 6,6'-di-tert-butyl-2,2'-methylenedi-p-cresol - 119-47-1 2-methyl-1-(4-methylthiophenyl)-2-morpholinopropan-1-one - 71868-10-5
Net Weight	0.279 kg
Supply voltage	
type of voltage of the supply voltage	AC/DC
supply voltage 1 at AC	
• at 50 Hz	24 ... 240 V
• at 60 Hz	24 ... 240 V
supply voltage 1 at DC	24 ... 240 V
supply voltage frequency 1	50 ... 60 Hz
Measuring circuit	
type of current for monitoring	AC
adjustable current response value current	

• 1	4 ... 40 A
• 2	4 ... 40 A
adjustable response delay time	
• when starting	0 ... 99 s
• with lower or upper limit violation	0 ... 30 s
adjustable switching hysteresis for measured current value	0.1 ... 8 A
accuracy of digital display	+/-1 digit
Precision	
temperature drift per °C	0.1 %/°C
Short-circuit protection	
design of the fuse link for short-circuit protection of the auxiliary switch required	fuse gG: 4 A
Communication/ Protocol	
protocol is supported IO-Link protocol	No
type of voltage supply via input/output link master	No
Auxiliary circuit	
number of CO contacts	
• for auxiliary contacts	1
operational current of auxiliary contacts at AC-15	
• at 24 V	3 A
• at 230 V	3 A
• at 400 V	3 A
operational current of auxiliary contacts at DC-13	
• at 24 V	1 A
• at 125 V	0.2 A
• at 250 V	0.1 A
contact rating of auxiliary contacts according to UL	B300 / R300
Main circuit	
operating power rated value	2.5 W
ampacity of the semiconductor output at AC-14 at 240 V at 50/60 Hz	20 mA
ampacity of the semiconductor output at DC-13 at 240 V	20 mA
ampacity of the semiconductor output in SIO mode	20 mA
operational current at 17 V minimum	5 mA
Electromagnetic compatibility	
EMC emitted interference according to IEC 60947-1	ambience A (industrial sector)
EMC immunity according to IEC 60947-1	ambience A (industrial sector)
Electrical Safety	
protection class IP on the front according to IEC 60529	IP20
Connections/ Terminals	
product component removable terminal for main circuit	No
product component removable terminal for auxiliary and control circuit	Yes
type of electrical connection	
• for main current circuit	screw-type terminals
• for auxiliary and control circuit	screw-type terminals
type of connectable conductor cross-sections for main contacts	
• solid	2x (1 ... 2.5 mm ²), 2x (2.5 ... 10 mm ²)
• finely stranded with core end processing	2x (1 ... 2.5 mm ²), 2x (2.5 ... 6 mm ²), 1x 10 mm ²
connectable conductor cross-section for main contacts	
• solid or stranded	1 ... 10 mm ²
• finely stranded with core end processing	2.5 ... 10 mm ²
type of connectable conductor cross-sections	
• for auxiliary contacts	
— solid	1x (0.5 ... 4 mm ²), 2x (0.5 ... 2.5 mm ²)
— finely stranded with core end processing	1x (0.5 ... 2.5 mm ²), 2x (0.5 ... 1.5 mm ²)
• for AWG cables for auxiliary contacts	2x (20 ... 14)
AWG number as coded connectable conductor cross section for main contacts	16 ... 8
tightening torque with screw-type terminals	0.8 ... 1.2 N·m

Installation/ mounting/ dimensions	
mounting position	any
fastening method	direct mounting
height	87 mm
width	45 mm
depth	91 mm
required spacing	
<ul style="list-style-type: none"> • with side-by-side mounting <ul style="list-style-type: none"> — forwards 0 mm — backwards 0 mm — upwards 0 mm — downwards 0 mm — at the side 0 mm • for grounded parts <ul style="list-style-type: none"> — forwards 6 mm — backwards 0 mm — upwards 6 mm — at the side 6 mm — downwards 6 mm • for live parts <ul style="list-style-type: none"> — forwards 6 mm — backwards 0 mm — upwards 6 mm — downwards 6 mm — at the side 6 mm 	

Ambient conditions	
installation altitude at height above sea level maximum	2 000 m
ambient temperature	
<ul style="list-style-type: none"> • during operation -25 ... +60 °C • during storage -40 ... +80 °C 	

Approvals Certificates

General Product Approval	EMV
--------------------------	-----



EMV	Test Certificates	Maritime application
-----	-------------------	----------------------

[KC](#)

[Type Test Certificates/Test Report](#)

[Special Test Certificate](#)



Maritime application	other	Environment
----------------------	-------	-------------



[Confirmation](#)

[Environmental Confirmations](#)

Further information

Information on the packaging
<https://support.industry.siemens.com/cs/ww/en/view/109813875>
 Information for data generation and storage
<https://support.industry.siemens.com/cs/ww/en/view/109995012>
 Information- and Downloadcenter (Catalogs, Brochures,...)
<https://www.siemens.com/ic10>
 Industry Mall (Online ordering system)
<https://mall.industry.siemens.com/mall/en/en/Catalog/product?mlfb=3RR2242-1FW30>

Cax online generator

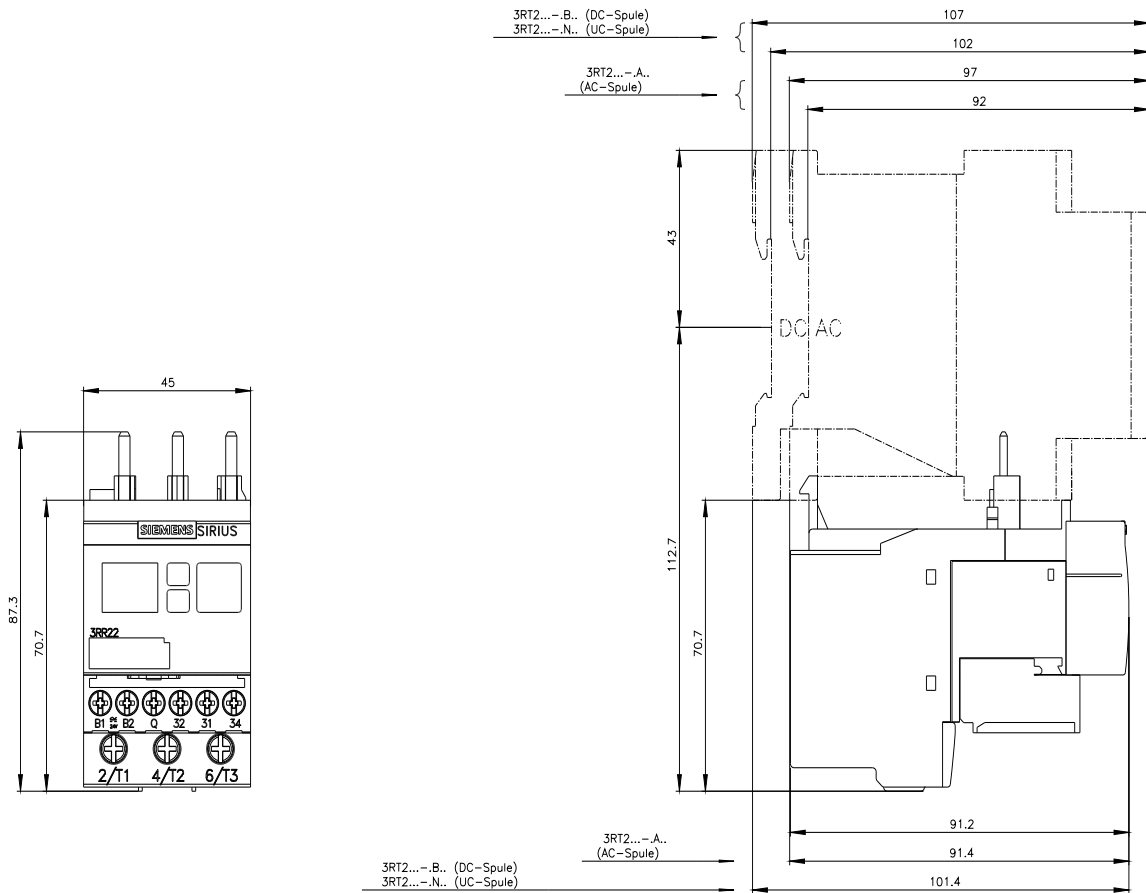
<https://support.automation.siemens.com/WW/CAXorder/default.aspx?lang=en&mlfb=3RR2242-1FW30>

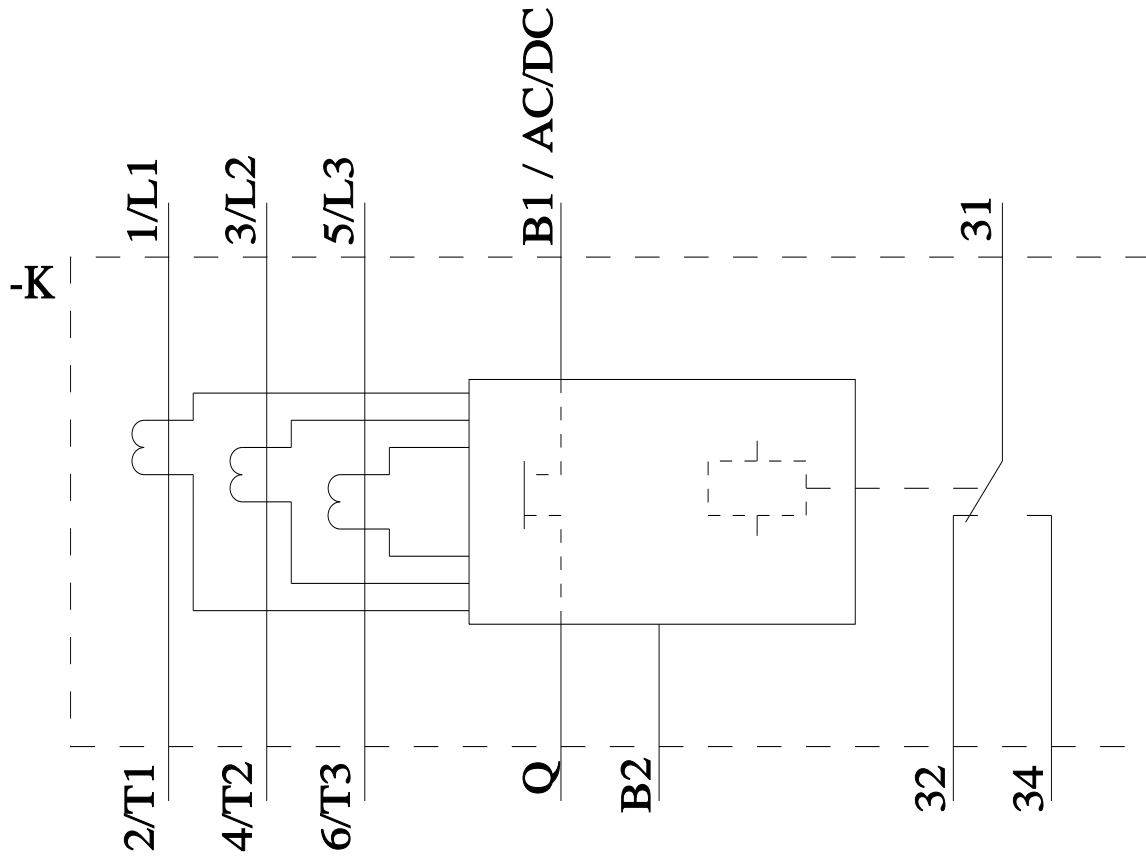
Service&Support (Manuals, Certificates, Characteristics, FAQs,...)

<https://support.industry.siemens.com/cs/ww/en/ps/3RR2242-1FW30>


Image database (product images, 2D dimension drawings, 3D models, device circuit diagrams, EPLAN macros, ...)

https://www.automation.siemens.com/bilddb/cax_de.aspx?mlfb=3RR2242-1FW30&lang=en





last modified:

12/7/2025 

TURLL

YOUR GLOBAL AUTOMATION PARTNER

3RR2242-1FW30

OFFICIAL DATASHEET & QUOTATION

- 100% New & Original Factory Sealed
- Global Express Shipping (DHL/FedEx/UPS)
- 12-Month Warranty Protection
- Professional Technical Support

[CHECK STOCK & PRICE](#)



Need Assistance? Scan to Chat on WhatsApp

sales@turl.com | +852 6339 7344