



Contactor 400...440 V 60 HZ AC3 3 kW 400 V AUX contacts: 1 NO 3-pole, size S00 screw terminal

|  |                            |
|--|----------------------------|
| product brand name   | SIRIUS                     |
| product designation  | Power contactor            |
| product type designation   | 3RT6                       |
| <b>General technical data</b>  |                            |
| size of contactor  | S00                        |
| product extension auxiliary switch   | Yes                        |
| power loss [W] for rated value of the current  |                            |
| • at AC in hot operating state per pole  | 0.42 W                     |
| • without load current share typical   | 1.05 W                     |
| type of calculation of power loss depending on pole  | quadratic                  |
| insulation voltage rated value   | 690 V                      |
| degree of pollution  | 3                          |
| surge voltage resistance rated value   | 6 kV                       |
| maximum permissible voltage for protective separation between coil and main contacts according to EN 60947-1 | 400 V                      |
| shock resistance at rectangular impulse  |                            |
| • at AC  | 6,7g / 5 ms, 4,2g / 10 ms  |
| shock resistance with sine pulse   |                            |
| • at AC  | 10,5g / 5 ms, 6,6g / 10 ms |
| mechanical service life (operating cycles)   |                            |
| • of contactor typical   | 30 000 000                 |
| • of the contactor with added auxiliary switch block typical   | 10 000 000                 |
| Substance Prohibittance (Date)   | 05/01/2012                 |
| Net Weight   | 0.22 kg                    |
| <b>Ambient conditions</b>  |                            |
| installation altitude at height above sea level maximum  | 2 000 m                    |
| ambient temperature  |                            |
| • during operation   | -25 ... +60 °C             |
| • during storage   | -55 ... +80 °C             |
| <b>Main circuit</b>  |                            |
| number of poles for main current circuit   | 3                          |
| number of NO contacts for main contacts  | 3                          |
| number of NC contacts for main contacts  | 0                          |
| operating voltage  |                            |
| • at AC-3 rated value maximum  | 690 V                      |
| • at AC-3e rated value maximum   | 690 V                      |
| operational current  |                            |
| • at AC-1 up to 690 V  |                            |
| — at ambient temperature 40 °C rated value   | 18 A                       |

|   |                     |
|---|---------------------|
| — at ambient temperature 60 °C rated value  | 16 A                |
| ● at AC-3   |                     |
| — at 400 V rated value  | 7 A                 |
| — at 690 V rated value  | 4.9 A               |
| ● at AC-3e  |                     |
| — at 400 V rated value  | 7 A                 |
| — at 690 V rated value  | 4.9 A               |
| <b>connectable conductor cross-section in main circuit at AC-1</b>                    |                     |
| ● at 60 °C minimum permissible  | 2.5 mm <sup>2</sup> |
| ● at 40 °C minimum permissible  | 2.5 mm <sup>2</sup> |
| <b>operational current for approx. 200000 operating cycles at AC-4</b>                |                     |
| ● at 400 V rated value  | 2.6 A               |
| ● at 690 V rated value  | 1.8 A               |
| <b>operating power</b>  |                     |
| ● at AC-1   |                     |
| — at 230 V rated value  | 6.3 kW              |
| — at 230 V at 60 °C rated value   | 6 kW                |
| — at 400 V at 60 °C rated value   | 10.5 kW             |
| — at 690 V at 60 °C rated value   | 18 kW               |
| ● at AC-3   |                     |
| — at 230 V rated value  | 1.5 kW              |
| — at 400 V rated value  | 3 kW                |
| — at 690 V rated value  | 4 kW                |
| ● at AC-3e  |                     |
| — at 230 V rated value  | 1.5 kW              |
| — at 400 V rated value  | 3 kW                |
| — at 690 V rated value  | 4 kW                |
| <b>operating power for approx. 200000 operating cycles at AC-4</b>                    |                     |
| ● at 400 V rated value  | 1.15 kW             |
| ● at 690 V rated value  | 1.15 kW             |
| <b>no-load switching frequency</b>  |                     |
| ● at AC   | 10 000 1/h          |
| <b>operating frequency</b>  |                     |
| ● at AC-1 maximum   | 1 000 1/h           |
| ● at AC-3 maximum   | 750 1/h             |
| ● at AC-3e maximum  | 750 1/h             |
| ● at AC-4 maximum   | 250 1/h             |
| <b>Control circuit/ Control</b>   |                     |
| <b>type of voltage of the control supply voltage</b>                                  | AC                  |
| <b>control supply voltage at AC</b>   |                     |
| ● at 50 Hz rated value  | 400 V               |
| ● at 60 Hz rated value  | 440 V               |
| <b>operating range factor control supply voltage rated value of magnet coil at AC</b> |                     |
| ● at 50 Hz  | 0.8 ... 1.1         |
| ● at 60 Hz  | 0.85 ... 1.1        |
| <b>apparent pick-up power of magnet coil at AC</b>                                    |                     |
| ● at 50 Hz  | 27 VA               |
| ● at 60 Hz  | 24.3 VA             |
| <b>inductive power factor with closing power of the coil</b>                          |                     |
| ● at 50 Hz  | 0.8                 |
| ● at 60 Hz  | 0.75                |
| <b>apparent holding power of magnet coil at AC</b>                                    |                     |
| ● at 50 Hz  | 4.2 VA              |
| ● at 60 Hz  | 3.3 VA              |
| <b>inductive power factor with the holding power of the coil</b>                      |                     |
| ● at 50 Hz  | 0.25                |

|   |   |
|---|---|
| <ul style="list-style-type: none"> <li>at 60 Hz</li> </ul>  | 0.25  |
| <b>Auxiliary circuit</b>  |   |
| number of NC contacts for auxiliary contacts instantaneous contact  | 0   |
| number of NO contacts for auxiliary contacts instantaneous contact  | 1   |
| operational current at AC-12 maximum  | 10 A  |
| <b>operational current at AC-15</b>   |   |
| <ul style="list-style-type: none"> <li>at 230 V rated value</li> <li>at 400 V rated value</li> <li>at 690 V rated value</li> </ul>  | 10 A<br>3 A<br>1 A  |
| <b>operational current at DC-12</b>   |   |
| <ul style="list-style-type: none"> <li>at 24 V rated value</li> <li>at 110 V rated value</li> <li>at 220 V rated value</li> </ul>   | 6 A<br>3 A<br>1 A   |
| <b>operational current at DC-13</b>   |   |
| <ul style="list-style-type: none"> <li>at 24 V rated value</li> <li>at 110 V rated value</li> <li>at 220 V rated value</li> </ul>   | 6 A<br>1 A<br>0.3 A   |
| <b>contact reliability of auxiliary contacts</b>  | 1 faulty switching per 100 million (17 V, 1 mA)   |
| <b>UL/CSA ratings</b>   |   |
| yielded mechanical performance [hp] for 3-phase AC motor at 460/480 V rated value   | 3 hp  |
| <b>Short-circuit protection</b>   |   |
| <b>design of the fuse link</b>  |   |
| <ul style="list-style-type: none"> <li>for short-circuit protection of the main circuit <ul style="list-style-type: none"> <li>with type of coordination 1 required</li> <li>with type of coordination 2 required</li> </ul> </li> <li>for short-circuit protection of the auxiliary switch required</li> </ul> | gL/gG LV HRC 3NA, DIAZED 5SB, NEOZED 5SE: 35 A<br>gL/gG LV HRC 3NA, DIAZED 5SB, NEOZED 5SE: 20 A<br>fuse gL/gG: 10 A  |
| <b>Installation/ mounting/ dimensions</b>   |   |
| <b>mounting position</b>  | +/-180° rotation possible on vertical mounting surface; can be tilted forward and backward by +/- 22.5° on vertical mounting surface  |
| fastening method side-by-side mounting  | Yes   |
| <b>fastening method</b>   | screw and snap-on mounting onto 35 mm DIN rail according to DIN EN 50022  |
| <b>height</b>   | 57.5 mm   |
| <b>width</b>  | 45 mm   |
| <b>depth</b>  | 73 mm   |
| <b>required spacing</b>   |   |
| <ul style="list-style-type: none"> <li>with side-by-side mounting <ul style="list-style-type: none"> <li>at the side</li> </ul> </li> </ul>   | 0 mm  |
| <b>Connections/ Terminals</b>   |   |
| <b>type of electrical connection</b>  |   |
| <ul style="list-style-type: none"> <li>for main current circuit</li> <li>for auxiliary and control circuit</li> </ul>   | screw-type terminals<br>screw-type terminals  |
| type of connectable conductor cross-sections for main contacts  |   |
| <ul style="list-style-type: none"> <li>solid or stranded</li> <li>finely stranded with core end processing</li> </ul>   | 2x (0,5 ... 1,5 mm <sup>2</sup> ), 2x (0,75 ... 2,5 mm <sup>2</sup> ), 2x 4 mm <sup>2</sup><br>2x (0.5 ... 1.5 mm <sup>2</sup> ), 2x (0.75 ... 2.5 mm <sup>2</sup> )  |
| <b>type of connectable conductor cross-sections</b>   |   |
| <ul style="list-style-type: none"> <li>for auxiliary contacts <ul style="list-style-type: none"> <li>solid or stranded</li> <li>finely stranded with core end processing</li> </ul> </li> <li>for AWG cables for auxiliary contacts</li> </ul>  | 2x (0.5 ... 1.5 mm <sup>2</sup> ), 2x (0.75 ... 2.5 mm <sup>2</sup> ), 2x 4 mm <sup>2</sup><br>2x (0.5 ... 1.5 mm <sup>2</sup> ), 2x (0.75 ... 2.5 mm <sup>2</sup> )<br>2x (20 ... 16), 2x (18 ... 14), 2x 12 |
| <b>Safety related data</b>  |   |
| product function mirror contact according to IEC 60947-4-1  | Yes   |
| <b>Electrical Safety</b>  |   |
| <b>protection class IP on the front according to IEC 60529</b>  | IP20  |
| <b>touch protection on the front according to IEC 60529</b>   | finger-safe, for vertical contact from the front  |
| <b>Approvals Certificates</b>   |   |
| <b>General Product Approval</b>   |   |



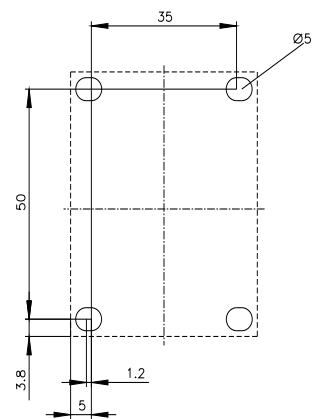
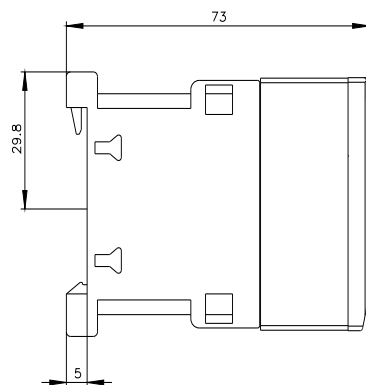
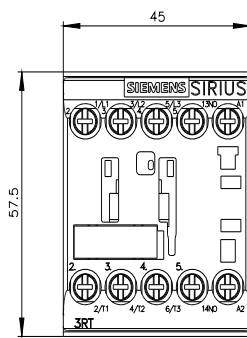
[Confirmation](#)

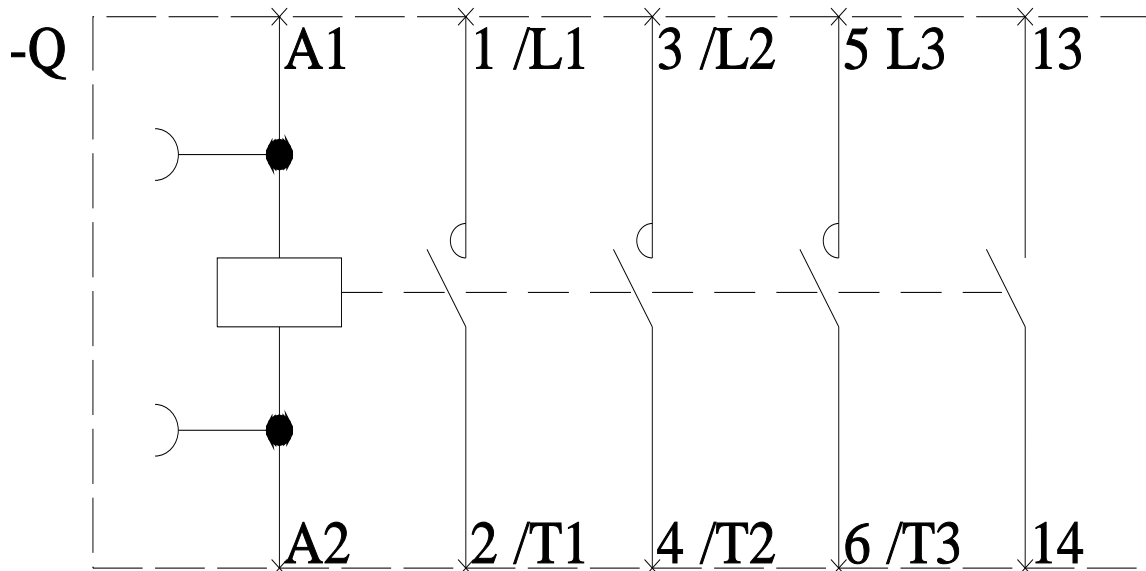
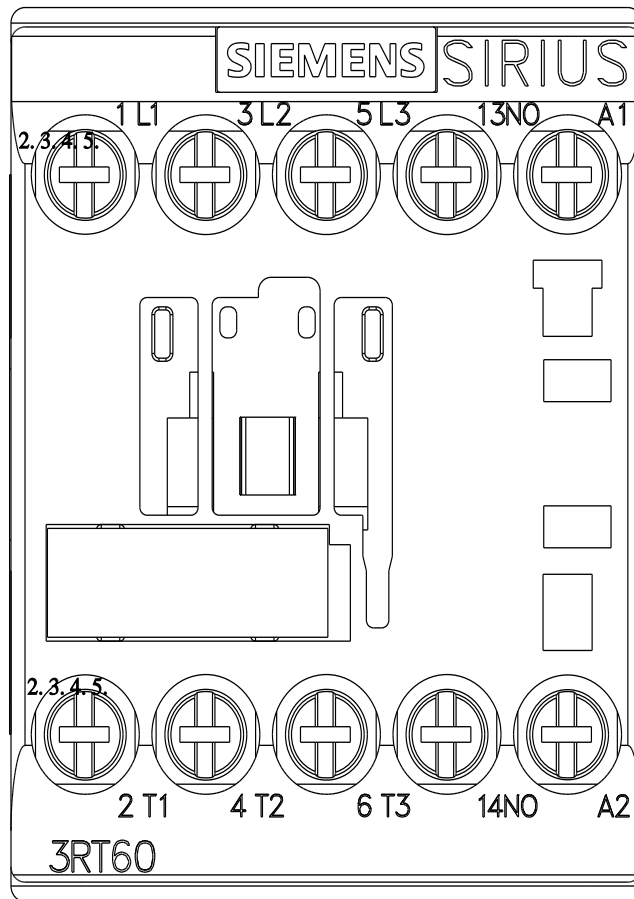


| EMV   | Maritime application                               | other   |                              | Environment                                 |
|---|--|---|------------------------------|---|
|  | <a href="#">CCS (China Classification Society)</a> |  | <a href="#">Confirmation</a> | <a href="#">Environmental Confirmations</a> |

**Further information**

Service&Support (Manuals, Certificates, Characteristics, FAQs,...)  
<https://support.industry.siemens.com/cs/products?pnid=16027&lc=en-CN>





last modified:

4/3/2025

# TURLL

YOUR GLOBAL AUTOMATION PARTNER

## 3RT6015-1AR61

OFFICIAL DATASHEET & QUOTATION

- 100% New & Original Factory Sealed
- Global Express Shipping (DHL/FedEx/UPS)
- 12-Month Warranty Protection
- Professional Technical Support

[CHECK STOCK & PRICE](#)



Need Assistance? Scan to Chat on WhatsApp

[sales@turl.com](mailto:sales@turl.com) | +852 6339 7344