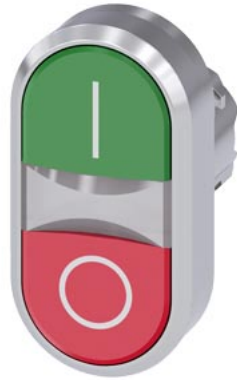


Siemens
EcoTech



Illuminated twin pushbutton, 22 mm, round, metal, shiny, green: I, red: O, pushbuttons, flat



| | |
|--|----------------------------------|
| product brand name | SIRIUS ACT |
| product designation | Twin pushbuttons |
| design of the product | Actuating/signaling element |
| product type designation | 3SU1 |
| product line | Metal, shiny, 22 mm |
| Enclosure | |
| number of command points | 1 |
| Actuator | |
| design of the actuating element | Flat buttons, illuminated |
| principle of operation of the actuating element | momentary contact type |
| product extension optional | |
| • light source | Yes |
| • contact module | Yes |
| color of the actuating element | green / red |
| material of the actuating element | plastic |
| shape of the actuating element | oval |
| marking of the actuating element | "I"/"O" |
| Front ring | |
| product component front ring | Yes |
| design of the front ring | Standard |
| material of the front ring | Metal, high gloss |
| color of the front ring | silver |
| General technical data | |
| protection class IP | IP66, IP67, IP69(IP69K) |
| degree of protection NEMA rating | 1, 2, 3, 3R, 4, 4X, 12, 13 |
| shock resistance | |
| • according to IEC 60068-2-27 | sinusoidal half-wave 15g / 11 ms |
| vibration resistance | |
| • according to IEC 60068-2-6 | 10 ... 500 Hz: 5g |
| operating frequency maximum | 3 600 1/h |
| mechanical service life (operating cycles) typical | 2 000 000 |
| reference code according to IEC 81346-2 | S |
| Substance Prohibition (Date) | 10/01/2014 |
| Net Weight | 64 g |
| Ambient conditions | |
| ambient temperature | |

| | |
|--|--|
| <ul style="list-style-type: none"> during operation during storage | -25 ... +70 °C -40 ... +80 °C |
| environmental category during operation according to IEC 60721 | 3M6, 3S2, 3B2, 3C3, 3K6 (with relative air humidity of 10 ... 95%) |

| Environmental footprint | |
|--|-----------------|
| Environmental Product Declaration(EPD) | Yes |
| global warming potential [CO2 eq] total | 0.593 kg |
| global warming potential [CO2 eq] during manufacturing | 0.625 kg |
| global warming potential [CO2 eq] during operation | 0.235 kg |
| global warming potential [CO2 eq] after end of life | -0.267 kg |
| Siemens Eco Profile (SEP) | Siemens EcoTech |

| Installation/ mounting/ dimensions | |
|---|---------|
| height | 57.9 mm |
| width | 29.9 mm |
| shape of the installation opening | round |
| mounting diameter | 22.3 mm |
| positive tolerance of installation diameter | 0.4 mm |
| mounting height | 14.4 mm |
| installation width | 29.9 mm |
| installation depth | 25.7 mm |

| Approvals Certificates | | |
|--------------------------|-------------------|----------------------|
| General Product Approval | Test Certificates | Maritime application |



[Type Test Certificates/Test Report](#)



| Maritime application | other | Environment |
|----------------------|-------|-------------|
|----------------------|-------|-------------|



[Confirmation](#)



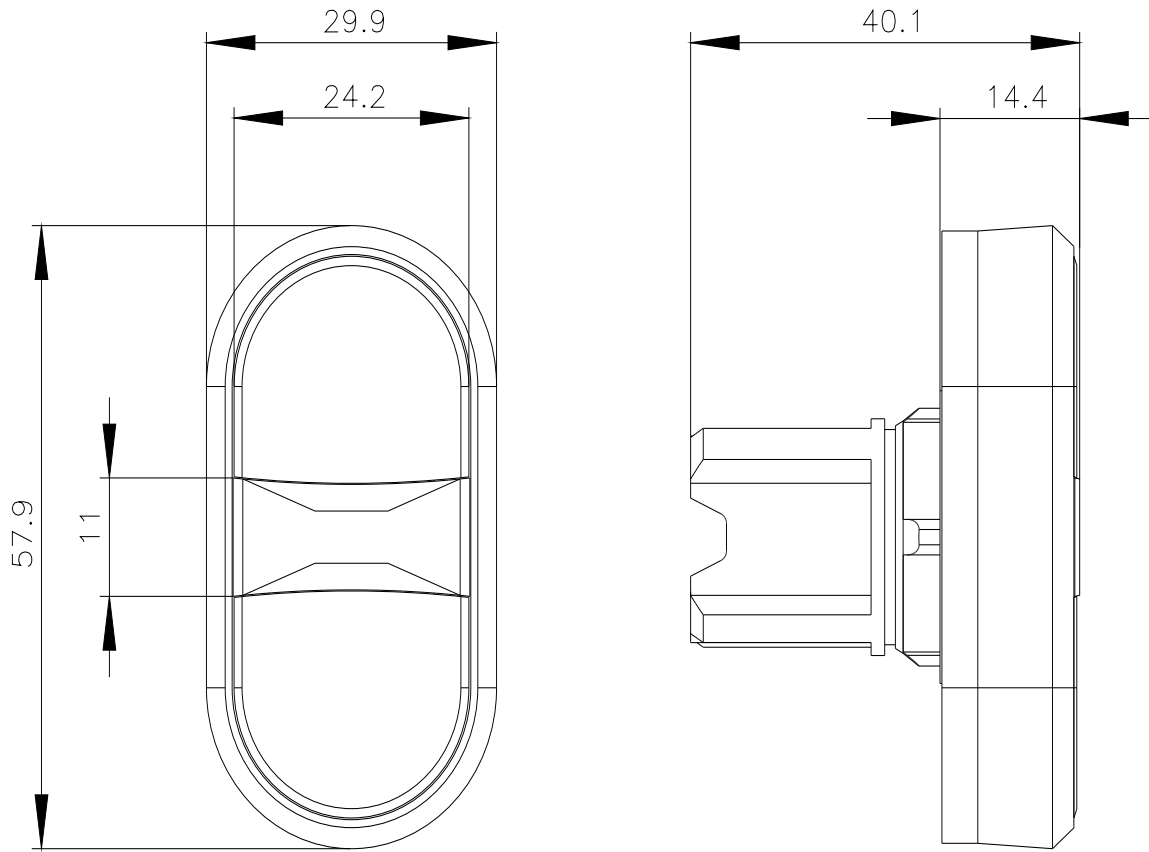
Environment



[Environmental Confirmations](#)

Further information

- Information on the packaging
<https://support.industry.siemens.com/cs/ww/en/view/109813875>
- Information for data generation and storage
<https://support.industry.siemens.com/cs/ww/en/view/109995012>
- Information- and Downloadcenter (Catalogs, Brochures,...)
<https://www.siemens.com/ic10>
- Industry Mall (Online ordering system)
<https://mall.industry.siemens.com/mall/en/en/Catalog/product?mlfb=3SU1051-3AB42-0AK0>
- Cax online generator
<https://support.automation.siemens.com/WW/CAXorder/default.aspx?lang=en&mlfb=3SU1051-3AB42-0AK0>
- Service&Support (Manuals, Certificates, Characteristics, FAQs,...)
<https://support.industry.siemens.com/cs/ww/en/ps/3SU1051-3AB42-0AK0>
- Image database (product images, 2D dimension drawings, 3D models, device circuit diagrams, EPLAN macros, ...)
https://www.automation.siemens.com/bilddb/cax_de.aspx?mlfb=3SU1051-3AB42-0AK0&lang=en



last modified:

4/2/2025 

TURLL

YOUR GLOBAL AUTOMATION PARTNER

3SU1051-3AB42-0AK0

OFFICIAL DATASHEET & QUOTATION

- 100% New & Original Factory Sealed
- Global Express Shipping (DHL/FedEx/UPS)
- 12-Month Warranty Protection
- Professional Technical Support

[CHECK STOCK & PRICE](#)



Need Assistance? Scan to Chat on WhatsApp

sales@turl.com | +852 6339 7344