

Siemens  
EcoTech



Illuminated pushbutton, 22 mm, round, metal, shiny, transparent, pushbutton, flat, momentary contact type, with holder, 1 NO, LED module with integrated LED 230 V AC, screw terminal



|  |  |
|--|--|
| product brand name   | SIRIUS ACT   |
| product designation  | Illuminated pushbuttons  |
| design of the product  | Complete unit  |
| product type designation   | 3SU1   |
| product line   | Metal, shiny, 22 mm  |
| manufacturer's article number  |  |
| <ul style="list-style-type: none"> <li>• of supplied contact module at position 1</li> <li>• of supplied LED module</li> <li>• of the supplied holder</li> <li>• of the supplied actuator</li> </ul> | <a href="#">3SU1400-1AA10-1BA0</a><br><a href="#">3SU1401-1BF60-1AA0</a><br><a href="#">3SU1550-0AA10-0AA0</a><br><a href="#">3SU1051-0AB70-0AA0</a> |
| number of command points   | 1  |
| <b>Actuator</b>  |  |
| design of the actuating element  | Button, flat   |
| principle of operation of the actuating element  | momentary contact type   |
| product extension optional light source  | Yes  |
| color of the actuating element   | clear  |
| material of the actuating element  | plastic  |
| shape of the actuating element   | round  |
| outer diameter of the actuating element  | 29.45 mm   |
| number of contact modules  | 1  |
| <b>Front ring</b>  |  |
| product component front ring   | Yes  |
| design of the front ring   | Standard   |
| material of the front ring   | Metal, high gloss  |
| color of the front ring  | silver   |
| <b>Holder</b>  |  |
| material of the holder   | Plastic  |
| <b>Display</b>   |  |
| number of LED modules  | 1  |
| <b>General technical data</b>  |  |
| product function positive opening  | No   |
| product component light source   | Yes  |
| insulation voltage rated value   | 320 V  |
| degree of pollution  | 3  |
| type of voltage of the operating voltage   | AC/DC  |
| surge voltage resistance rated value   | 4 kV   |

|  |   |
|--|---|
| <b>protection class IP</b>                                   | IP66, IP67, IP69(IP69K)   |
| protection class IP of the terminal                          | IP20  |
| <b>degree of protection NEMA rating</b>                      | 1, 2, 3, 3R, 4, 4X, 12, 13  |
| <b>shock resistance</b>                                      |   |
| • according to IEC 60068-2-27                                | sinusoidal half-wave 15g / 11 ms  |
| <b>vibration resistance</b>                                  |   |
| • according to IEC 60068-2-6                                 | 10 ... 500 Hz: 5g   |
| <b>operating frequency maximum</b>                           | 3 600 1/h   |
| <b>mechanical service life (operating cycles) typical</b>    | 3 000 000   |
| electrical endurance (operating cycles) typical              | 10 000 000  |
| <b>thermal current</b>                                       | 10 A  |
| <b>reference code according to IEC 81346-2</b>               | S   |
| <b>continuous current of the C characteristic MCB</b>        | 10 A; for a short-circuit current smaller than 400 A  |
| <b>continuous current of the quick DIAZED fuse link</b>      | 10 A  |
| <b>continuous current of the DIAZED fuse link gG</b>         | 10 A  |
| <b>Substance Prohibitance (Date)</b>                         | 10/01/2014  |
| <b>SVHC substance name</b>                                   | Lead monoxide (lead oxide) - 1317-36-8<br>2-methyl-1-(4-methylthiophenyl)-2-morpholinopropan-1-one - 71868-10-5 |
| <b>Net Weight</b>  | 98 g  |
| <b>operating voltage</b>                                     |   |
| • at AC  |   |
| — at 50 Hz rated value                                       | 5 ... 500 V   |
| — at 60 Hz rated value                                       | 5 ... 500 V   |
| • at DC rated value  | 5 ... 500 V   |
| <b>Power Electronics</b>                                     |   |
| <b>contact reliability</b>                                   | One maloperation per 100 million (17 V, 5 mA), one maloperation per 10 million (5 V, 1 mA)                      |
| <b>Supply voltage</b>  |   |
| type of voltage of the supply voltage of the light source    | AC  |
| <b>supply voltage of the light source at AC</b>              |   |
| • at 50 Hz rated value                                       | 230 V   |
| • at 60 Hz rated value                                       | 230 V   |
| <b>Control circuit/ Control</b>                              |   |
| <b>inrush current of LED module maximum</b>                  | 3 A   |
| <b>Auxiliary circuit</b>                                     |   |
| <b>design of the contact of auxiliary contacts</b>           | Silver alloy  |
| <b>number of NC contacts for auxiliary contacts</b>          | 0   |
| <b>number of NO contacts for auxiliary contacts</b>          | 1   |
| <b>Connections/ Terminals</b>                                |   |
| <b>type of electrical connection</b>                         | screw terminal  |
| • of modules and accessories                                 | Screw-type terminal   |
| <b>type of connectable conductor cross-sections</b>          |   |
| • solid with core end processing                             | 2x (0.5 ... 0.75 mm <sup>2</sup> )  |
| • solid without core end processing                          | 2x (1.0 ... 1.5 mm <sup>2</sup> )   |
| • finely stranded with core end processing                   | 2x (0.5 ... 1.5 mm <sup>2</sup> )   |
| • finely stranded without core end processing                | 2x (1,0 ... 1,5 mm <sup>2</sup> )   |
| • for AWG cables   | 2x (18 ... 14)  |
| <b>tightening torque of the screws in the bracket</b>        | 1 ... 1.2 N·m   |
| tightening torque with screw-type terminals                  | 0.8 ... 0.9 N·m   |
| <b>Lamp</b>  |   |
| <b>type of light source</b>                                  | LED   |
| <b>color of the light source</b>                             | white   |
| <b>light intensity</b>                                       | 900 ... 1 400 mcd   |
| <b>Safety related data</b>                                   |   |
| product function suitable for safety function                | Yes   |
| <b>test wear-related service life necessary</b>              | Yes   |
| <b>proportion of dangerous failures</b>                      |   |
| • with high demand rate per NO contact according to SN 31920 | 50 %  |

|   |           |
|---|-----------|
| <b>B10 value with high demand rate according to SN 31920</b>            | 3 000 000 |
| ISO 13849   |           |
| <b>device type according to ISO 13849-1</b>                             | 3         |
| IEC 61508   |           |
| <b>safety device type according to IEC 61508-2</b>                      | Type A    |
| T1 value for proof test interval or service life according to IEC 61508 | 20 a      |

| Ambient conditions   |  |
|--|--|
| <b>ambient temperature</b>   |  |
| <ul style="list-style-type: none"> <li>during operation</li> <li>during storage</li> </ul> | -25 ... +70 °C<br>-40 ... +80 °C   |
| environmental category during operation according to IEC 60721                             | 3M6, 3S2, 3B2, 3K6 (with relative air humidity of 10 ... 95%, no condensation in operation permitted for all devices behind front panel) |

| Environmental footprint                                |                 |
|--|-----------------|
| Environmental Product Declaration (EPD)                | Yes             |
| global warming potential [CO2 eq] total                | 0.593 kg        |
| global warming potential [CO2 eq] during manufacturing | 0.625 kg        |
| global warming potential [CO2 eq] during operation     | 0.235 kg        |
| global warming potential [CO2 eq] after end of life    | -0.267 kg       |
| Siemens Eco Profile (SEP)                              | Siemens EcoTech |

| Installation/ mounting/ dimensions   |                      |
|--|----------------------|
| <b>fastening method</b>  | front plate mounting |
| <ul style="list-style-type: none"> <li>of modules and accessories</li> </ul> | Front plate mounting |
| <b>height</b>  | 40 mm                |
| <b>width</b>   | 30 mm                |
| <b>shape of the installation opening</b>                                     | round                |
| <b>mounting diameter</b>   | 22.3 mm              |
| <b>positive tolerance of installation diameter</b>                           | 0.4 mm               |
| <b>mounting height</b>   | 11 mm                |
| <b>installation width</b>  | 29.5 mm              |
| <b>installation depth</b>  | 49.7 mm              |

| Approvals Certificates   |                   |
|--------------------------|-------------------|
| General Product Approval | Test Certificates |



[Type Test Certificates/Test Report](#)

|                   |                      |       |
|-------------------|----------------------|-------|
| Test Certificates | Maritime application | other |
|-------------------|----------------------|-------|

[Special Test Certificate](#)



[Confirmation](#)

|       |             |
|-------|-------------|
| other | Environment |
|-------|-------------|



[Environmental Confirmations](#)

| Further information |
|---------------------|
|---------------------|

- Information on the packaging  
<https://support.industry.siemens.com/cs/ww/en/view/109813875>
- Information for data generation and storage  
<https://support.industry.siemens.com/cs/ww/en/view/109995012>
- Information- and Downloadcenter (Catalogs, Brochures,...)  
<https://www.siemens.com/ic10>
- Industry Mall (Online ordering system)

<https://mall.industry.siemens.com/mall/en/en/Catalog/product?mlfb=3SU1156-0AB70-1BA0>

Cax online generator

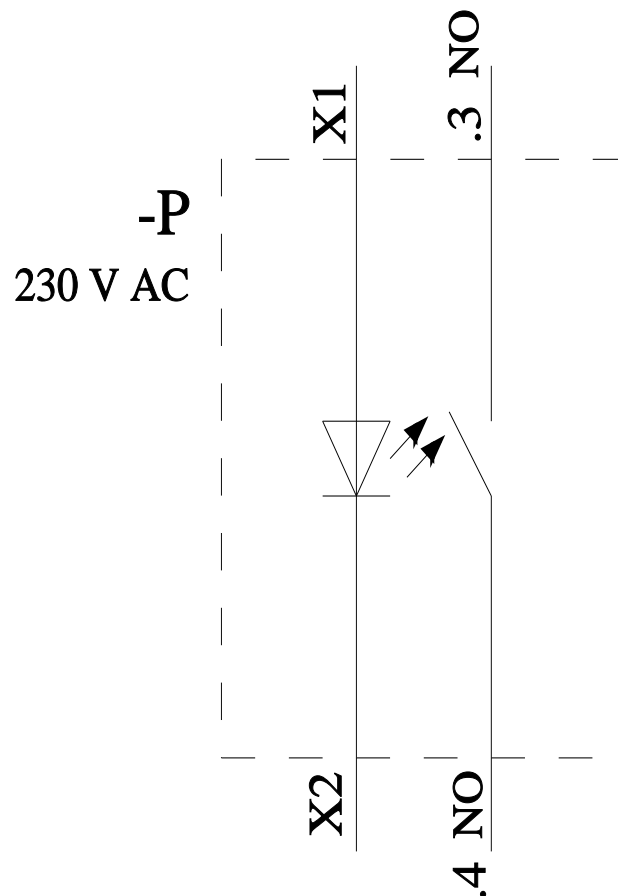
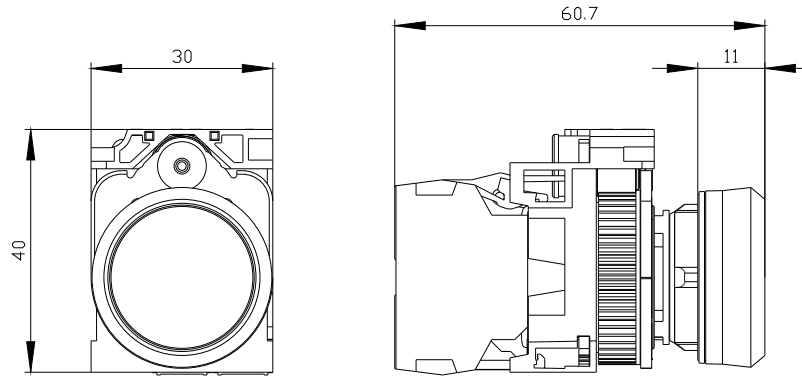
<https://support.automation.siemens.com/WW/CAXorder/default.aspx?lang=en&mlfb=3SU1156-0AB70-1BA0>

Service&Support (Manuals, Certificates, Characteristics, FAQs,...)

<https://support.industry.siemens.com/cs/ww/en/ps/3SU1156-0AB70-1BA0>

Image database (product images, 2D dimension drawings, 3D models, device circuit diagrams, EPLAN macros, ...)

[https://www.automation.siemens.com/bilddb/cax\\_de.aspx?mlfb=3SU1156-0AB70-1BA0&lang=en](https://www.automation.siemens.com/bilddb/cax_de.aspx?mlfb=3SU1156-0AB70-1BA0&lang=en)



last modified:

7/22/2025

# TURLL

YOUR GLOBAL AUTOMATION PARTNER

## 3SU1156-0AB70-1BA0

OFFICIAL DATASHEET & QUOTATION

- 100% New & Original Factory Sealed
- Global Express Shipping (DHL/FedEx/UPS)
- 12-Month Warranty Protection
- Professional Technical Support

[CHECK STOCK & PRICE](#)



Need Assistance? Scan to Chat on WhatsApp

[sales@turl.com](mailto:sales@turl.com) | +852 6339 7344