

Siemens
EcoTech



Electronics module IO-Link for ID key-operated switch, with 5 pre-programmed electronic switches, controller and RFID authentication of the switching function, black, operating voltage 24 V DC, screw terminal, for front plate mounting, for industrial application in control cabinets and machines



product brand name	SIRIUS ACT
product designation	Electronic module for ID key-operated switches
product type designation	3SU1
Actuator	
product extension optional light source	No
Contact block/ lampholder	
socket design	other
Display	
number of LEDs	4
General technical data	
insulation voltage rated value	30 V
degree of pollution	3
type of voltage	
• of the operating voltage	DC
• of the input voltage	DC
surge voltage resistance rated value	0.8 kV
consumed current maximum	49 mA
protection class IP	IP20, clamping screw tightened
reference code according to IEC 81346-2	P
Substance Prohibitance (Date)	10/01/2014
SVHC substance name	Lead - 7439-92-1 Lead monoxide (lead oxide) - 1317-36-8 2,2',6,6'-tetrabromo-4,4'-isopropylidenediphenol - 79-94-7 2-methyl-1-(4-methylthiophenyl)-2-morpholinopropan-1-one - 71868-10-5
Net Weight	61 g
operating voltage	
• rated value	18 ... 30 V
• at DC rated value	24 V
operating voltage 1 at DC rated value	24 V
Communication/ Protocol	
protocol is supported IO-Link protocol	Yes
IO-Link transfer rate	COM2 (38,4 kBaud)
point-to-point cycle time between master and IO-Link device minimum	10 ms
type of voltage supply via input/output link master	Yes
data volume	
• of the address range of the inputs with cyclical transfer	2 byte

total	
<ul style="list-style-type: none"> of the address range of the outputs with cyclical transfer 	0 byte
total	
Auxiliary circuit	
number of NC contacts for auxiliary contacts	0
number of NO contacts for auxiliary contacts	5
Inputs/ Outputs	
number of digital inputs	0
<ul style="list-style-type: none"> safety-related 	0
number of digital outputs	5
output voltage at digital output at DC rated value	23.5 V
output current per output	250 mA
Connections/ Terminals	
type of electrical connection	screw terminal
type of connectable conductor cross-sections	
<ul style="list-style-type: none"> solid without core end processing 	1x (0.2 ... 2.5 mm ²)
<ul style="list-style-type: none"> finely stranded with core end processing 	1x (0.25 ... 1.5 mm ²), 2x (0.5 ... 0.75 mm ²)
<ul style="list-style-type: none"> finely stranded without core end processing 	1x (0.2 ... 2.5 mm ²), 2x (0.2 ... 0.75 mm ²)
<ul style="list-style-type: none"> for AWG cables 	1x (26 ... 14)
tightening torque with screw-type terminals	0.4 ... 0.4 N·m
Product Function	
product function parameterizable	Yes
Safety related data	
MTBF	
<ul style="list-style-type: none"> at 70 °C 	138 a
<ul style="list-style-type: none"> at full load at 25 °C 	141 a
Electrical Safety	
touch protection against electrical shock	finger-safe
Ambient conditions	
ambient temperature	
<ul style="list-style-type: none"> during operation 	-25 ... +70 °C
<ul style="list-style-type: none"> during storage 	-40 ... +80 °C
environmental category during operation according to IEC 60721	3M6, 3S2, 3B2, 3K6 (with relative air humidity of 10 ... 95%, no condensation in operation permitted)
Environmental footprint	
Environmental Product Declaration (EPD)	Yes
global warming potential [CO2 eq] total	0.787 kg
global warming potential [CO2 eq] during manufacturing	0.566 kg
global warming potential [CO2 eq] during operation	0.235 kg
global warming potential [CO2 eq] after end of life	-0.015 kg
Siemens Eco Profile (SEP)	Siemens EcoTech
Installation/ mounting/ dimensions	
fastening method	front plate mounting
<ul style="list-style-type: none"> of modules and accessories 	Front plate mounting
height	36 mm
width	50 mm
depth	36.4 mm
required spacing with side-by-side mounting	
<ul style="list-style-type: none"> forwards 	100 mm
<ul style="list-style-type: none"> backwards 	100 mm
<ul style="list-style-type: none"> upwards 	100 mm
<ul style="list-style-type: none"> downwards 	100 mm
<ul style="list-style-type: none"> at the side 	100 mm
Measuring circuit	
product function	IO-Link 24 V DC
Approvals Certificates	
General Product Approval	Test Certificates



[Special Test Certificate](#)

[Type Test Certificates/Test Report](#)

other

Environment



[Confirmation](#)



Siemens EcoTech



[Environmental Confirmations](#)

Further information

Information on the packaging

<https://support.industry.siemens.com/cs/ww/en/view/109813875>

Information for data generation and storage

<https://support.industry.siemens.com/cs/ww/en/view/109995012>

Information- and Downloadcenter (Catalogs, Brochures,...)

<https://www.siemens.com/ic10>

Industry Mall (Online ordering system)

<https://mall.industry.siemens.com/mall/en/en/Catalog/product?mlfb=3SU1400-1GD10-1AA0>

Cax online generator

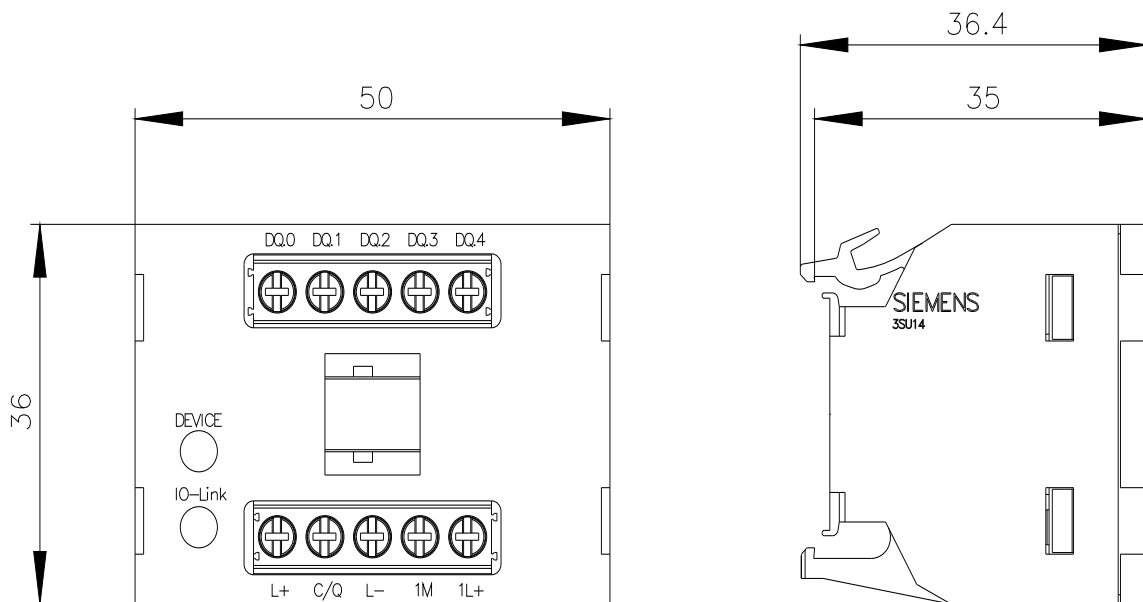
<https://support.automation.siemens.com/WW/CAXorder/default.aspx?lang=en&mlfb=3SU1400-1GD10-1AA0>

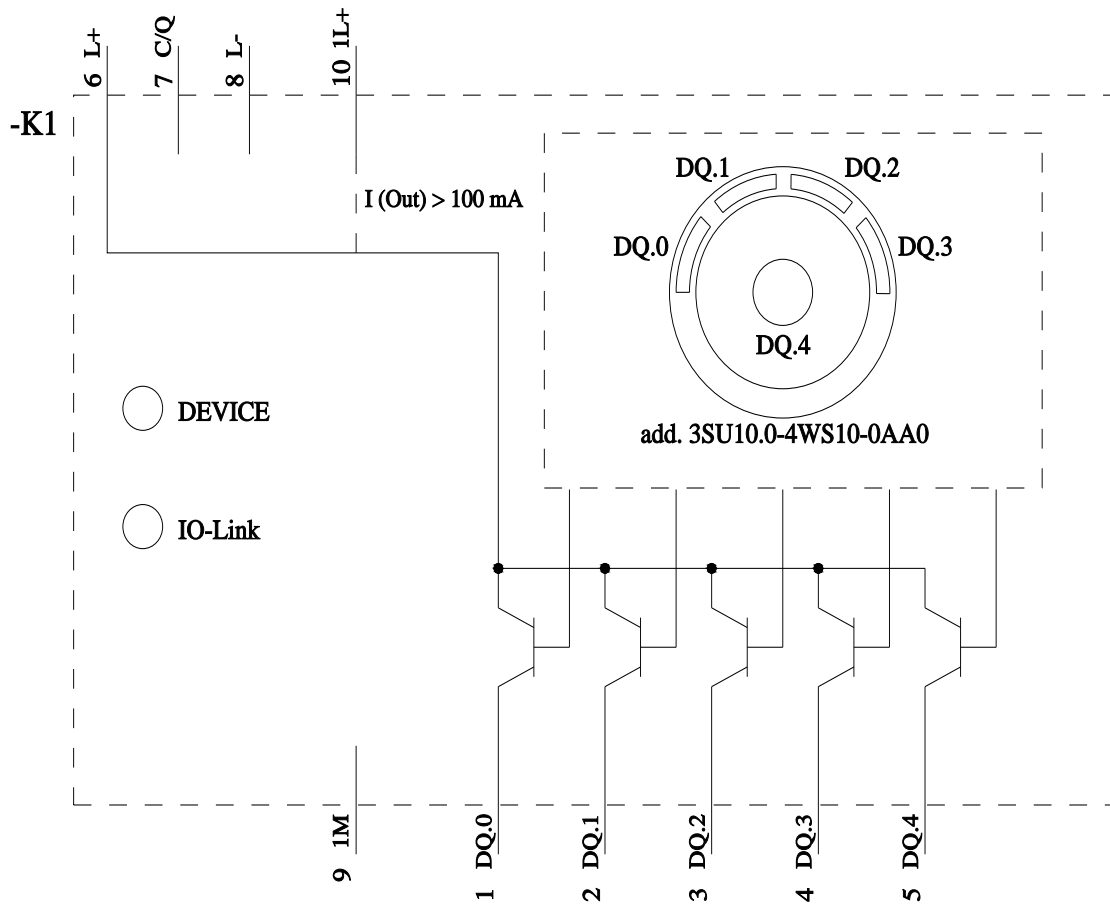
Service&Support (Manuals, Certificates, Characteristics, FAQs,...)

<https://support.industry.siemens.com/cs/ww/en/ps/3SU1400-1GD10-1AA0>

Image database (product images, 2D dimension drawings, 3D models, device circuit diagrams, EPLAN macros, ...)

https://www.automation.siemens.com/bilddb/cax_de.aspx?mlfb=3SU1400-1GD10-1AA0&lang=en





last modified:

4/2/2025

TURLL

YOUR GLOBAL AUTOMATION PARTNER

3SU1400-1GD10-1AA0

OFFICIAL DATASHEET & QUOTATION

- 100% New & Original Factory Sealed
- Global Express Shipping (DHL/FedEx/UPS)
- 12-Month Warranty Protection
- Professional Technical Support

[CHECK STOCK & PRICE](#)



Need Assistance? Scan to Chat on WhatsApp

sales@turl.com | +852 6339 7344