

Siemens  
EcoTech



holder, universal, 3-way, plastic/metal, 1 NC, screw terminal



product brand name	SIRIUS ACT
product designation	Holders
design of the product	holder, universal for plastic/metal
product type designation	3SU1
manufacturer's article number	
<ul style="list-style-type: none"> <li>of supplied contact module</li> </ul>	<a href="#">3SU1400-1AA10-1CA0</a>
<ul style="list-style-type: none"> <li>of supplied contact module at position 1</li> </ul>	<a href="#">3SU1400-1AA10-1CA0</a>
<ul style="list-style-type: none"> <li>of the supplied holder</li> </ul>	<a href="#">3SU1550-0AA10-0AA0</a>
<b>Actuator</b>	
design of the actuating element	3-way with module
number of contact modules	1
<b>Holder</b>	
material of the holder	Plastic
<b>Display</b>	
number of LED modules	0
<b>General technical data</b>	
product function positive opening	Yes
product component	
<ul style="list-style-type: none"> <li>diode</li> </ul>	No
<ul style="list-style-type: none"> <li>lamp transformer</li> </ul>	No
<ul style="list-style-type: none"> <li>light source</li> </ul>	No
<ul style="list-style-type: none"> <li>series resistor</li> </ul>	No
insulation voltage rated value	500 V
degree of pollution	3
surge voltage resistance rated value	6 kV
protection class IP of the terminal	IP20
shock resistance	
<ul style="list-style-type: none"> <li>according to IEC 60068-2-27</li> </ul>	sinusoidal half-wave 15g / 11 ms
<ul style="list-style-type: none"> <li>for railway applications according to EN 61373</li> </ul>	Category 1, Class B
vibration resistance	
<ul style="list-style-type: none"> <li>according to IEC 60068-2-6</li> </ul>	10 ... 500 Hz: 5g
<ul style="list-style-type: none"> <li>for railway applications according to EN 61373</li> </ul>	Category 1, Class B
operating frequency maximum	3 600 1/h
mechanical service life (operating cycles) typical	10 000 000
thermal current	10 A
reference code according to IEC 81346-2	U

<b>continuous current of the C characteristic MCB</b>	10 A; for a short-circuit current smaller than 400 A
<b>continuous current of the quick DIAZED fuse link</b>	10 A
<b>continuous current of the DIAZED fuse link gG</b>	10 A
<b>Substance Prohibitance (Date)</b>	10/01/2014
<b>Net Weight</b>	30 g
<b>operating voltage</b>	
• at AC	
— at 50 Hz rated value	5 ... 500 V
— at 60 Hz rated value	5 ... 500 V
• at DC rated value	5 ... 500 V
<b>Power Electronics</b>	
<b>contact reliability</b>	One maloperation per 100 million (17 V, 5 mA), one maloperation per 10 million (5 V, 1 mA)
<b>Auxiliary circuit</b>	
<b>design of the contact of auxiliary contacts</b>	Silver alloy
<b>number of NC contacts for auxiliary contacts</b>	1
<b>number of NO contacts for auxiliary contacts</b>	0
<b>operational current at AC-15 at 230 V rated value</b>	6 A
<b>Connections/ Terminals</b>	
<b>type of electrical connection</b>	
• of modules and accessories	Screw-type terminal
<b>type of connectable conductor cross-sections</b>	
• solid with core end processing	2x (0.5 ... 0.75 mm <sup>2</sup> )
• solid without core end processing	2x (1.0 ... 1.5 mm <sup>2</sup> )
• finely stranded with core end processing	2x (0.5 ... 1.5 mm <sup>2</sup> )
• finely stranded without core end processing	2x (1,0 ... 1,5 mm <sup>2</sup> )
• for AWG cables	2x (18 ... 14)
<b>tightening torque of the screws in the bracket</b>	1 ... 1.2 N·m
<b>tightening torque</b>	
• with screw-type terminals	0.8 ... 0.9 N·m
• for grounding	0.8 ... 1 N·m
<b>Ambient conditions</b>	
<b>ambient temperature</b>	
• during operation	-25 ... +70 °C
• during storage	-40 ... +80 °C
<b>environmental category during operation according to IEC 60721</b>	3M6, 3S2, 3B2, 3C3, 3K6 (with relative air humidity of 10 ... 95%, no condensation in operation permitted)
<b>Environmental footprint</b>	
<b>Environmental Product Declaration (EPD)</b>	Yes
<b>global warming potential [CO2 eq] total</b>	0.593 kg
<b>global warming potential [CO2 eq] during manufacturing</b>	0.625 kg
<b>global warming potential [CO2 eq] during operation</b>	0.235 kg
<b>global warming potential [CO2 eq] after end of life</b>	-0.267 kg
<b>Siemens Eco Profile (SEP)</b>	Siemens EcoTech
<b>Installation/ mounting/ dimensions</b>	
<b>fastening method</b>	front plate mounting
• of modules and accessories	Front plate mounting
<b>height</b>	40 mm
<b>width</b>	30 mm
<b>shape of the installation opening</b>	round
<b>installation width</b>	30 mm
<b>installation depth</b>	49.8 mm
<b>thickness of the front plate usable</b>	1 ... 6 mm
<b>Approvals Certificates</b>	
<b>General Product Approval</b>	<b>Test Certificates</b>



[Special Test Certificate](#)

Test Certificates	Maritime application	other
-------------------	----------------------	-------

[Type Test Certificates/Test Report](#)



other	Environment
-------	-------------

[Confirmation](#)



Siemens  
EcoTech



[Environmental Confirmations](#)

### Further information

Information on the packaging

<https://support.industry.siemens.com/cs/ww/en/view/109813875>

Information for data generation and storage

<https://support.industry.siemens.com/cs/ww/en/view/109995012>

Information- and Downloadcenter (Catalogs, Brochures,...)

<https://www.siemens.com/ic10>

Industry Mall (Online ordering system)

<https://mall.industry.siemens.com/mall/en/en/Catalog/product?mlfb=3SU1550-1AA10-1CA0>

Cax online generator

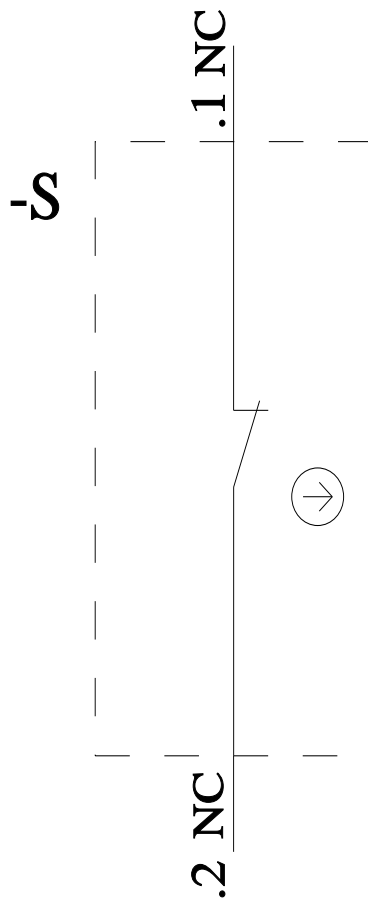
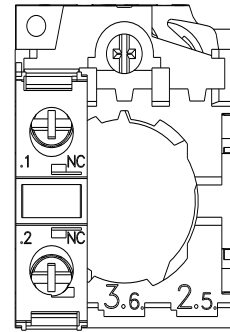
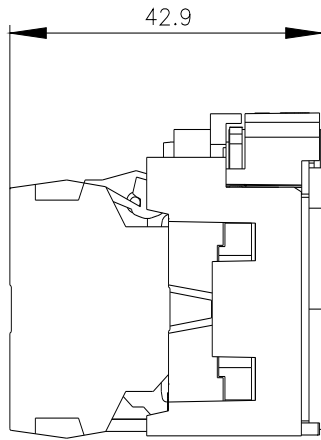
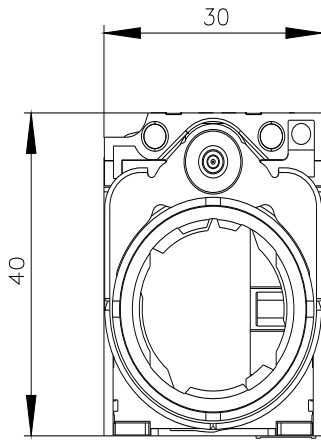
<https://support.automation.siemens.com/WW/CAXorder/default.aspx?lang=en&mlfb=3SU1550-1AA10-1CA0>

Service&Support (Manuals, Certificates, Characteristics, FAQs,...)

<https://support.industry.siemens.com/cs/ww/en/ps/3SU1550-1AA10-1CA0>

Image database (product images, 2D dimension drawings, 3D models, device circuit diagrams, EPLAN macros, ...)

[https://www.automation.siemens.com/bilddb/cax\\_de.aspx?mlfb=3SU1550-1AA10-1CA0&lang=en](https://www.automation.siemens.com/bilddb/cax_de.aspx?mlfb=3SU1550-1AA10-1CA0&lang=en)





# TURLL

YOUR GLOBAL AUTOMATION PARTNER

## 3SU1550-1AA10-1CA0

OFFICIAL DATASHEET & QUOTATION

- 100% New & Original Factory Sealed
- Global Express Shipping (DHL/FedEx/UPS)
- 12-Month Warranty Protection
- Professional Technical Support

[CHECK STOCK & PRICE](#)



Need Assistance? Scan to Chat on WhatsApp

[sales@turl.com](mailto:sales@turl.com) | +852 6339 7344