

two-hand operation console for command devices, 22 mm, round, enclosure material plastic, enclosure top part gray, 3 holes for command points, 8 additional preset breaking points for 22 mm command devices, 2 mushroom pushbuttons black 40 mm, 2x 1 NO+1 NC, screw terminal, 1x EMERGENCY STOP red, 40 mm, 2 NC, screw terminal, front mounting, with cable cut-outs for metric cable glands



<b>product brand name</b>	SIRIUS ACT
<b>product designation</b>	Two-hand operation console
<b>product type designation</b>	3SU1
<b>manufacturer's article number</b>	
<ul style="list-style-type: none"> <li>of supplied contact module</li> </ul>	R2 = 3SU1400-1AA10-1BA0 / L2 = 3SU1400-1AA10-1BA0 / M1 = 3SU1400-1AA10-1CA0 / R1 = 3SU1400-1AA10-1CA0 / L1 = 3SU1400-1AA10-1CA0 / M2 = 3SU1400-1AA10-1CA0
<ul style="list-style-type: none"> <li>of supplied contact module at the command point A 1</li> </ul>	<a href="#">3SU1400-1AA10-1CA0</a>
<ul style="list-style-type: none"> <li>of supplied contact module at the command point A 3</li> </ul>	<a href="#">3SU1400-1AA10-1BA0</a>
<ul style="list-style-type: none"> <li>of supplied contact module at the command point B 1</li> </ul>	<a href="#">3SU1400-1AA10-1CA0</a>
<ul style="list-style-type: none"> <li>of supplied contact module at the command point B 3</li> </ul>	<a href="#">3SU1400-1AA10-1CA0</a>
<ul style="list-style-type: none"> <li>of supplied contact module at the command point C 1</li> </ul>	<a href="#">3SU1400-1AA10-1CA0</a>
<ul style="list-style-type: none"> <li>of supplied contact module at the command point C 3</li> </ul>	<a href="#">3SU1400-1AA10-1BA0</a>
<ul style="list-style-type: none"> <li>of the supplied holder at the command point A</li> </ul>	<a href="#">3SU1550-0AA10-0AA0</a>
<ul style="list-style-type: none"> <li>of the supplied holder at the command point B</li> </ul>	<a href="#">3SU1550-0AA10-0AA0</a>
<ul style="list-style-type: none"> <li>of the supplied holder at the command point C</li> </ul>	<a href="#">3SU1550-0AA10-0AA0</a>
<ul style="list-style-type: none"> <li>of the supplied actuator at the command point A</li> </ul>	<a href="#">3SU1000-1BD10-0AA0</a>
<ul style="list-style-type: none"> <li>of the supplied actuator at the command point B</li> </ul>	<a href="#">3SU1000-1HB20-0AA0</a>
<ul style="list-style-type: none"> <li>of the supplied actuator at the command point C</li> </ul>	<a href="#">3SU1000-1BD10-0AA0</a>
<ul style="list-style-type: none"> <li>of supplied empty enclosure</li> </ul>	<a href="#">3SU1803-3AA00-0AA1</a>
<ul style="list-style-type: none"> <li>of the supplied accessories at the command point B</li> </ul>	<a href="#">3SU1900-0BB31-0AT0</a>
<b>Enclosure</b>	
<b>design of the housing</b>	Two-hand operating console with standard components
<b>material of the enclosure</b>	plastic
<b>number of command points</b>	3
color of the enclosure top part	grey
<b>delivery state</b>	
<ul style="list-style-type: none"> <li>as a kit</li> </ul>	No
<ul style="list-style-type: none"> <li>pre-wired on strip terminal</li> </ul>	No
<b>fastening method of the enclosure</b>	Horizontal
<b>Actuator</b>	
<b>design of the actuating element</b>	A = mushroom pushbutton / B = EMERGENCY STOP mushroom pushbutton / C = mushroom pushbutton
<b>principle of operation of the actuating element</b>	A = momentary contact / B = latching / C = momentary contact
<b>product feature</b>	
<ul style="list-style-type: none"> <li>lockout</li> </ul>	No
<ul style="list-style-type: none"> <li>staggered switching</li> </ul>	No
color of the actuating element	A = black / B = red / C = black
<b>material of the actuating element</b>	plastic
<b>shape of the actuating element</b>	round

number of contact modules	6
type of unlocking device	A = none / B = rotate to unlock / C = none
<b>Front ring</b>	
product component front ring	Yes
material of the front ring	plastic
color of the front ring	black
<b>Holder</b>	
material of the holder	Plastic
<b>General technical data</b>	
product function	
• positive opening	Yes
• EMERGENCY OFF function	Yes
• EMERGENCY STOP function	Yes
product component stand/pedestal	No
protection class IP	IP66
degree of protection NEMA rating	1, 4X, 12K, indoor use only, 13
shock resistance according to IEC 60068-2-27	sinusoidal half-wave 15g / 11 ms
vibration resistance according to IEC 60068-2-6	10 ... 500 Hz: 5g
reference code according to IEC 81346-2	S
continuous current of the C characteristic MCB	10 A; for a short-circuit current smaller than 400 A
continuous current of the quick DIAZED fuse link	10 A
continuous current of the DIAZED fuse link gG	10 A
Substance Prohibitance (Date)	10/01/2014
Net Weight	2.3 kg
<b>Auxiliary circuit</b>	
design of the contact of auxiliary contacts	Silver alloy
number of NC contacts for auxiliary contacts	4
number of NO contacts for auxiliary contacts	2
<b>Connections/ Terminals</b>	
type of electrical connection on enclosure	Cable routing at the rear 2 x M25
<b>Safety related data</b>	
product function suitable for safety function	Yes
test wear-related service life necessary	Yes
proportion of dangerous failures	
• with low demand rate according to SN 31920	20 %
• with high demand rate according to SN 31920	20 %
• with high demand rate per NC contact according to SN 31920	20 %
B10 value with high demand rate according to SN 31920	100 000
failure rate [FIT] with low demand rate according to SN 31920	100 FIT
failure rate [FIT] with low demand rate per NC contact according to SN 31920	100 FIT
<b>ISO 13849</b>	
device type according to ISO 13849-1	3
<b>IEC 61508</b>	
safety device type according to IEC 61508-2	Type A
T1 value for proof test interval or service life according to IEC 61508	20 a
<b>Ambient conditions</b>	
ambient temperature	
• during operation	-25 ... +70 °C
• during storage	-40 ... +80 °C
environmental category during operation according to IEC 60721	3M6, 3S2, 3B2, 3C3, 3K6 (with relative air humidity of 10 ... 95%, no condensation in operation permitted for all devices behind front panel)
<b>Environmental footprint</b>	
Environmental Product Declaration (EPD)	Yes
global warming potential [CO2 eq] total	0.787 kg
global warming potential [CO2 eq] during manufacturing	0.566 kg
global warming potential [CO2 eq] during operation	0.235 kg

global warming potential [CO2 eq] after end of life	-0.015 kg
<b>Installation/ mounting/ dimensions</b>	
fastening method of modules and accessories	Front plate mounting
height	185.3 mm
width	469.2 mm
depth	137.4 mm
<b>Accessories</b>	
number of backing plates	1
marking of backing plate	NOT-HALT
color of backing plate	Yellow
<b>Approvals Certificates</b>	
General Product Approval	



General Product Approval	Test Certificates	Maritime application
--------------------------	-------------------	----------------------



[Type Test Certificates/Test Report](#)

[Special Test Certificate](#)



Maritime application	other	Environment
----------------------	-------	-------------



[Confirmation](#)



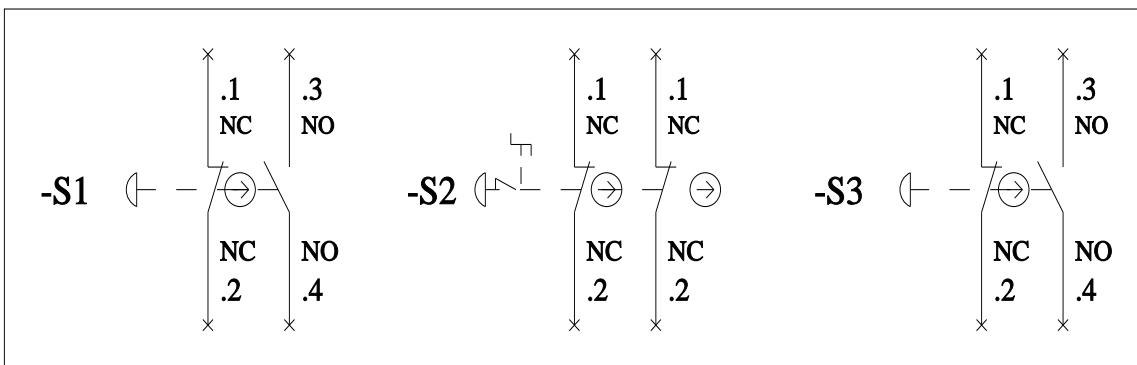
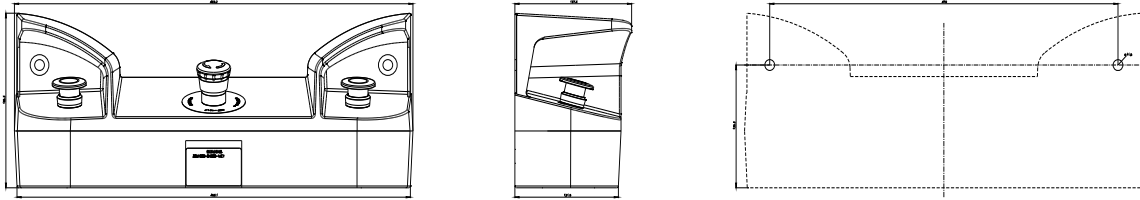
Siemens EcoTech



[Environmental Confirmations](#)

**Further information**

- Information on the packaging  
<https://support.industry.siemens.com/cs/ww/en/view/109813875>
- Information for data generation and storage  
<https://support.industry.siemens.com/cs/ww/en/view/109995012>
- Information- and Downloadcenter (Catalogs, Brochures,...)  
<https://www.siemens.com/ic10>
- Industry Mall (Online ordering system)  
<https://mall.industry.siemens.com/mall/en/en/Catalog/product?mlfb=3SU1803-3NB00-1AE1>
- Cax online generator  
<https://support.automation.siemens.com/WW/CAXorder/default.aspx?lang=en&mlfb=3SU1803-3NB00-1AE1>
- Service&Support (Manuals, Certificates, Characteristics, FAQs,...)  
<https://support.industry.siemens.com/cs/ww/en/ps/3SU1803-3NB00-1AE1>
- Image database (product images, 2D dimension drawings, 3D models, device circuit diagrams, EPLAN macros, ...)  
[https://www.automation.siemens.com/bilddb/cax\\_de.aspx?mlfb=3SU1803-3NB00-1AE1&lang=en](https://www.automation.siemens.com/bilddb/cax_de.aspx?mlfb=3SU1803-3NB00-1AE1&lang=en)





# TURLL

YOUR GLOBAL AUTOMATION PARTNER

## 3SU1803-3NB00-1AE1

OFFICIAL DATASHEET & QUOTATION

- 100% New & Original Factory Sealed
- Global Express Shipping (DHL/FedEx/UPS)
- 12-Month Warranty Protection
- Professional Technical Support

[CHECK STOCK & PRICE](#)



Need Assistance? Scan to Chat on WhatsApp

sales@turl.com | +852 6339 7344