

Data sheet

3SU1851-0AA00-0AB1



Enclosure for command devices, 22 mm, round, Enclosure material metal, enclosure top part grey, 1 control point, without equipment, Recess for labels, floor mounting, 1xM20 each on top and bottom

product brand name	SIRIUS ACT
product designation	Enclosures
product type designation	3SU1
Enclosure	
design of the housing	with recess for label
shape of the enclosure front	Square
material of the enclosure	metal
number of command points	1
product component protective collar	No
color of the enclosure top part	grey
fastening method of the enclosure	Vertical / horizontal
General technical data	
protection class IP	IP66, IP67, IP69(IP69K)
degree of protection NEMA rating	1, 2, 3, 3R, 4, 4X, 12, 13
shock resistance for railway applications according to EN 61373	Category 1, Class B
vibration resistance for railway applications according to EN 61373	Category 1, Class B
Substance Prohibitance (Date)	10/01/2014
SVHC substance name	Lead - 7439-92-1
Net Weight	478 g
cable entry type	Without
Connections/ Terminals	
type of electrical connection on enclosure	Cable routing above and below, both 1 x M20
tightening torque of fixing screws in the enclosure cover	1.5 ... 1.7 N-m
Ambient conditions	
ambient temperature	
• during operation	-25 ... +70 °C
• during storage	-40 ... +80 °C
environmental category during operation according to IEC 60721	3M6, 3S2, 3B2, 3C3, 3K6 (with relative air humidity of 10 ... 95%, no condensation in operation permitted for all devices behind front panel)
Environmental footprint	
Environmental Product Declaration(EPD)	Yes
global warming potential [CO2 eq] total	0.593 kg
global warming potential [CO2 eq] during manufacturing	0.625 kg
global warming potential [CO2 eq] during operation	0.235 kg
global warming potential [CO2 eq] after end of life	-0.267 kg
Installation/ mounting/ dimensions	
fastening method of modules and accessories	Floor mounting
height	89.4 mm

width	85 mm
depth	64 mm
mounting diameter	22.3 mm
positive tolerance of installation diameter	0.4 mm

Approvals Certificates

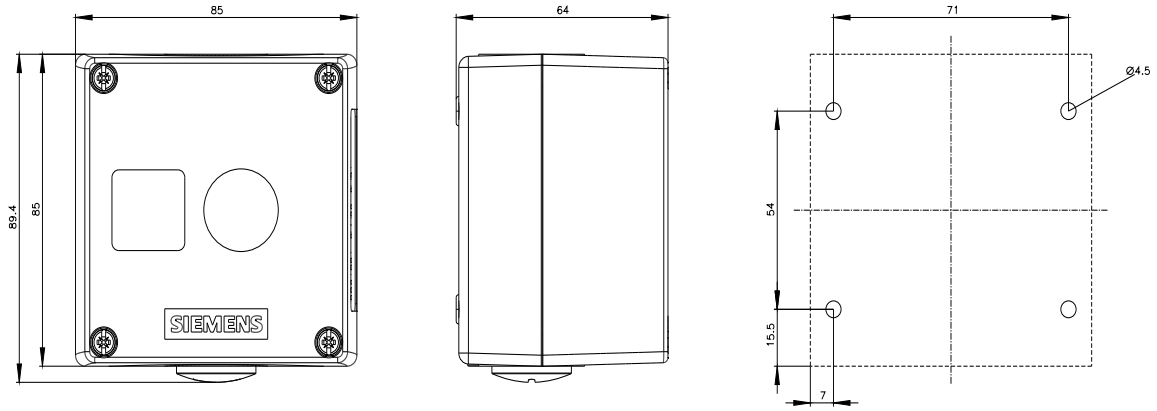
General Product Approval	Test Certificates
    	Type Test Certificates/Test Report

Test Certificates	Maritime application	other
Special Test Certificate	   	

other	Environment
Confirmation	  Environmental Confirmations

Further information

- Information on the packaging
<https://support.industry.siemens.com/cs/document/109813875>
- Information for data generation and storage
<https://support.industry.siemens.com/cs/ww/en/view/109995012>
- Information- and Downloadcenter (Catalogs, Brochures,...)
<https://www.siemens.com/ic10>
- Industry Mall (Online ordering system)
<https://mall.industry.siemens.com/mall/en/en/Catalog/product?mlfb=3SU1851-0AA00-0AB1>
- Cax online generator
<https://support.automation.siemens.com/WW/CAXorder/default.aspx?lang=en&mlfb=3SU1851-0AA00-0AB1>
- Service&Support (Manuals, Certificates, Characteristics, FAQs,...)
<https://support.industry.siemens.com/cs/ww/en/ps/3SU1851-0AA00-0AB1>
- Image database (product images, 2D dimension drawings, 3D models, device circuit diagrams, EPLAN macros, ...)
https://www.automation.siemens.com/bilddb/cax_de.aspx?mlfb=3SU1851-0AA00-0AB1&lang=en



last modified:

4/2/2025 

TURLL

YOUR GLOBAL AUTOMATION PARTNER

3SU1851-0AA00-0AB1

OFFICIAL DATASHEET & QUOTATION

- 100% New & Original Factory Sealed
- Global Express Shipping (DHL/FedEx/UPS)
- 12-Month Warranty Protection
- Professional Technical Support

[CHECK STOCK & PRICE](#)



Need Assistance? Scan to Chat on WhatsApp

sales@turl.com | +852 6339 7344