

## Data sheet

3SU1900-0DA70-0AA0



Sealable cap for pushbutton, flat, 22 mm, clear

product brand name	SIRIUS ACT	
product designation	Sealable cap	
design of the product	for pushbuttons, flat and raised	
product type designation	3SU1	
<b>General technical data</b>		
protection class IP	IP66, IP67, IP69(IP69K)	
degree of protection NEMA rating	1, 2, 3, 3R, 4, 4X, 12	
Substance Prohibittance (Date)	10/01/2014	
Net Weight	6 g	
<b>Ambient conditions</b>		
ambient temperature		
• during storage	-40 ... +80 °C	
<b>Environmental footprint</b>		
Environmental Product Declaration (EPD)	Yes	
global warming potential [CO2 eq] total	0.787 kg	
global warming potential [CO2 eq] during manufacturing	0.566 kg	
global warming potential [CO2 eq] during operation	0.235 kg	
global warming potential [CO2 eq] after end of life	-0.015 kg	
<b>Installation/ mounting/ dimensions</b>		
height	39.2 mm	
width	32.5 mm	
depth	22 mm	
<b>Accessories</b>		
material of accessory	Plastic	
color of accessory	clear	
<b>Approvals Certificates</b>		
General Product Approval	Test Certificates	Maritime application


[Type Test Certificates/Test Report](#)


Maritime application

other

Environment


[Confirmation](#)


## Environment



[Environmental Confirmations](#)

## Further information

## Information on the packaging

<https://support.industry.siemens.com/cs/ww/en/view/109813875>

## Information for data generation and storage

<https://support.industry.siemens.com/cs/ww/en/view/109995012>

## Information- and Downloadcenter (Catalogs, Brochures,...)

<https://www.siemens.com/ic10>

## Industry Mall (Online ordering system)

<https://mall.industry.siemens.com/mall/en/en/Catalog/product?mlfb=3SU1900-0DA70-0AA0>

## Cax online generator

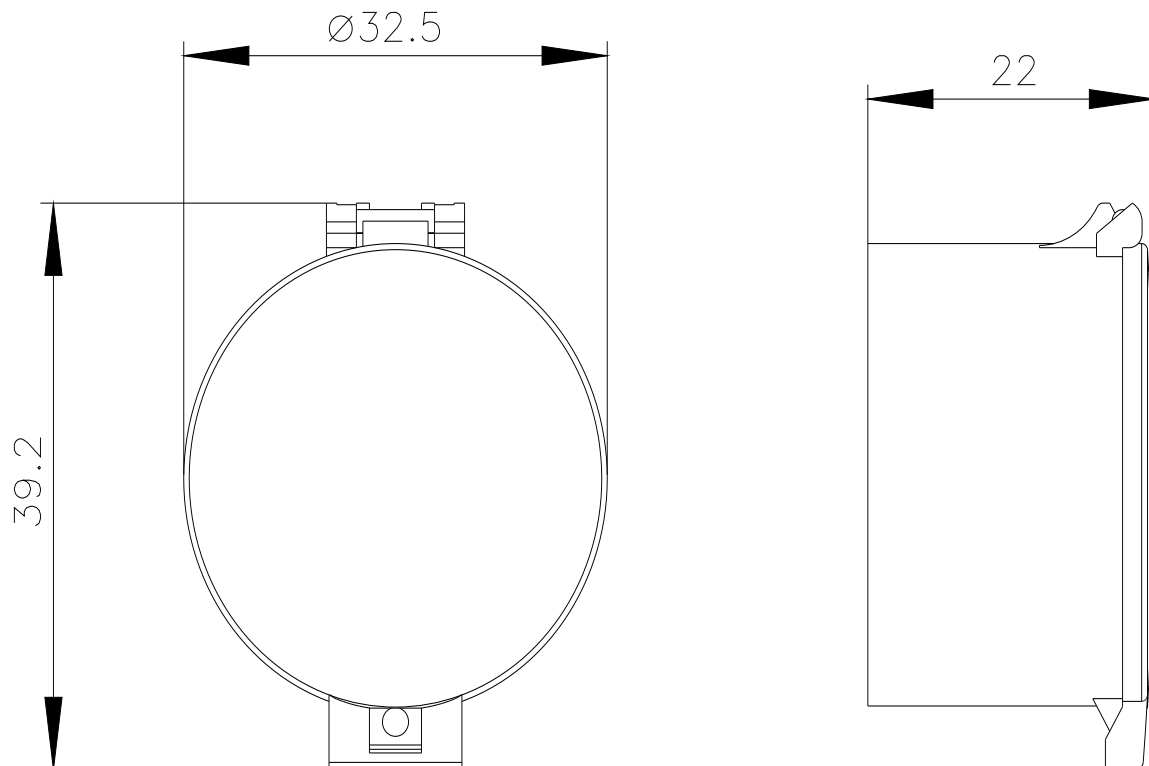
<https://support.automation.siemens.com/WW/CAXorder/default.aspx?lang=en&mlfb=3SU1900-0DA70-0AA0>

## Service&amp;Support (Manuals, Certificates, Characteristics, FAQs,...)

<https://support.industry.siemens.com/cs/ww/en/ps/3SU1900-0DA70-0AA0>

## Image database (product images, 2D dimension drawings, 3D models, device circuit diagrams, EPLAN macros, ...)

[https://www.automation.siemens.com/bilddb/cax\\_de.aspx?mlfb=3SU1900-0DA70-0AA0&lang=en](https://www.automation.siemens.com/bilddb/cax_de.aspx?mlfb=3SU1900-0DA70-0AA0&lang=en)



last modified:

4/2/2025

# TURLL

YOUR GLOBAL AUTOMATION PARTNER

## 3SU1900-0DA70-0AA0

OFFICIAL DATASHEET & QUOTATION

- 100% New & Original Factory Sealed
- Global Express Shipping (DHL/FedEx/UPS)
- 12-Month Warranty Protection
- Professional Technical Support

[CHECK STOCK & PRICE](#)



Need Assistance? Scan to Chat on WhatsApp

[sales@turl.com](mailto:sales@turl.com) | +852 6339 7344