

SIEMENS

Data sheet

3SU1900-0ED70-0AA0



Silicone-free protective cover for pushbutton flat, 22 mm, clear

product brand name	SIRIUS ACT	
product designation	Silicone-free protective cap	
design of the product	for pushbuttons, flat	
product type designation	3SU1	
General technical data		
protection class IP	IP66, IP67	
degree of protection NEMA rating	1, 2, 3, 3R, 4, 4X, 12	
Substance Prohibance (Date)	10/01/2014	
Net Weight	7 g	
Ambient conditions		
ambient temperature		
• during operation	-25 ... +70 °C	
• during storage	-40 ... +80 °C	
Environmental footprint		
Environmental Product Declaration (EPD)	Yes	
global warming potential [CO2 eq] total	0.787 kg	
global warming potential [CO2 eq] during manufacturing	0.566 kg	
global warming potential [CO2 eq] during operation	0.235 kg	
global warming potential [CO2 eq] after end of life	-0.015 kg	
Installation/ mounting/ dimensions		
depth	20.9 mm	
Accessories		
material of accessory	Plastic	
color of accessory	clear	
Approvals Certificates		
General Product Approval	Test Certificates	Maritime application



EG-Konf.



[Type Test Certificates/Test Report](#)



Maritime application

other

Environment



LRS



PRS



RINA



[Confirmation](#)



Environment

[Environmental Con-
firmations](#)

Further information

Information on the packaging

<https://support.industry.siemens.com/cs/ww/en/view/109813875>

Information for data generation and storage

<https://support.industry.siemens.com/cs/ww/en/view/109995012>

Information- and Downloadcenter (Catalogs, Brochures,...)

<https://www.siemens.com/ic10>

Industry Mall (Online ordering system)

<https://mall.industry.siemens.com/mall/en/en/Catalog/product?mlfb=3SU1900-0ED70-0AA0>

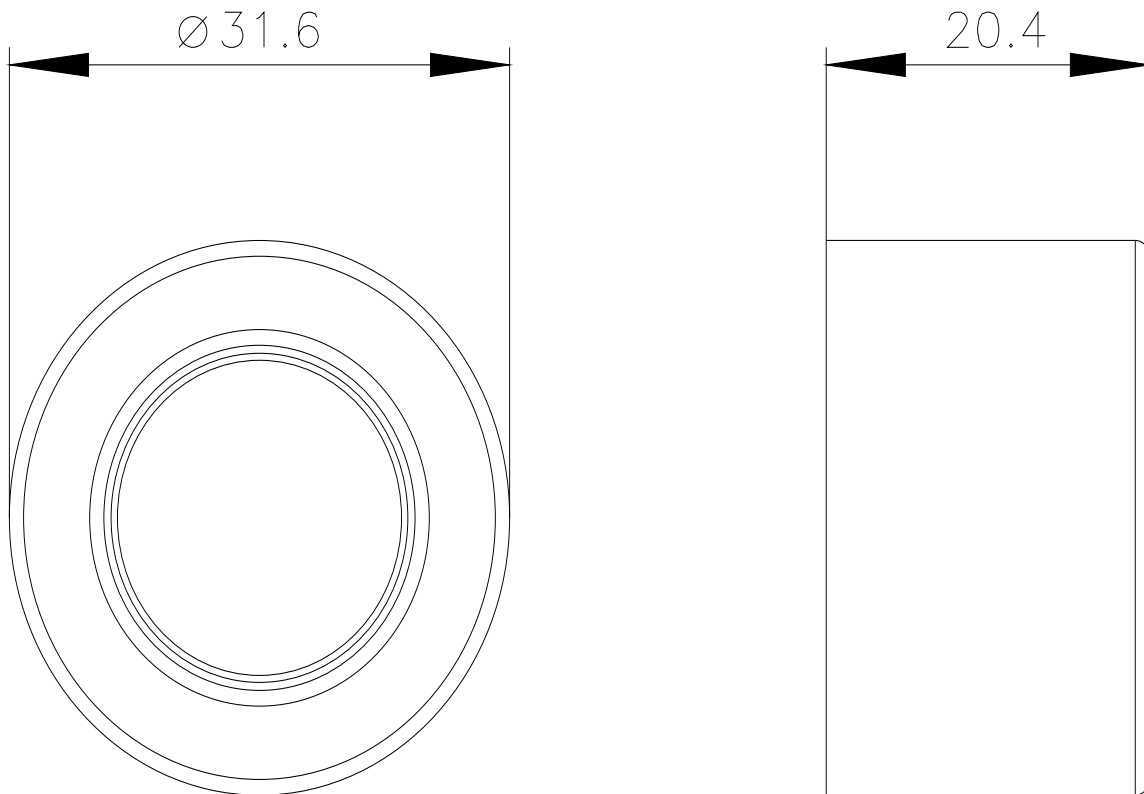
Cax online generator

<https://support.automation.siemens.com/WW/CAXorder/default.aspx?lang=en&mlfb=3SU1900-0ED70-0AA0>

Service&Support (Manuals, Certificates, Characteristics, FAQs,...)

<https://support.industry.siemens.com/cs/ww/en/ps/3SU1900-0ED70-0AA0>

Image database (product images, 2D dimension drawings, 3D models, device circuit diagrams, EPLAN macros, ...)

https://www.automation.siemens.com/bilddb/cax_de.aspx?mlfb=3SU1900-0ED70-0AA0&lang=en

last modified:

4/2/2025

TURLL

YOUR GLOBAL AUTOMATION PARTNER

3SU1900-0ED70-0AA0

OFFICIAL DATASHEET & QUOTATION

- 100% New & Original Factory Sealed
- Global Express Shipping (DHL/FedEx/UPS)
- 12-Month Warranty Protection
- Professional Technical Support

[CHECK STOCK & PRICE](#)



Need Assistance? Scan to Chat on WhatsApp

sales@turl.com | +852 6339 7344