






Data sheet

3SU1900-0FW30-0AA0

ID key ID group 2, yellow



product brand name	SIRIUS ACT		
product designation	ID keys		
product type designation	3SU1		
Actuator			
outer diameter of the actuating element	7.7 mm		
General technical data			
design of the RFID coding	ID Group 2		
Substance Prohibittance (Date)	10/01/2014		
Net Weight	4 g		
Ambient conditions			
ambient temperature	70 ... -25 °C		
<ul style="list-style-type: none"> during operation during storage and transport 	-40 ... +80 °C		
environmental category during operation according to IEC 60721	3M6, 3S2, 3B2, 3C3, 3K6 (with relative air humidity of 10 ... 95%)		
Environmental footprint			
Environmental Product Declaration(EPD)	Yes		
global warming potential [CO2 eq] total	0.787 kg		
global warming potential [CO2 eq] during manufacturing	0.566 kg		
global warming potential [CO2 eq] during operation	0.235 kg		
global warming potential [CO2 eq] after end of life	-0.015 kg		
Installation/ mounting/ dimensions			
mounting height	8.5 mm		
installation depth	55 mm		
Accessories			
material of accessory	Plastic		
color of accessory	yellow		
Approvals Certificates			
General Product Approval	Test Certificates	Maritime application	
			
			Type Test Certificates/Test Report
			
Maritime application	other	Environment	


[Confirmation](#)


Environment

Siemens
EcoTech



[Environmental Confirmations](#)

Further information

Information on the packaging

<https://support.industry.siemens.com/cs/ww/en/view/109813875>

Information for data generation and storage

<https://support.industry.siemens.com/cs/ww/en/view/109995012>

Information- and Downloadcenter (Catalogs, Brochures,...)

<https://www.siemens.com/ic10>

Industry Mall (Online ordering system)

<https://mall.industry.siemens.com/mall/en/en/Catalog/product?mlfb=3SU1900-0FW30-0AA0>

Cax online generator

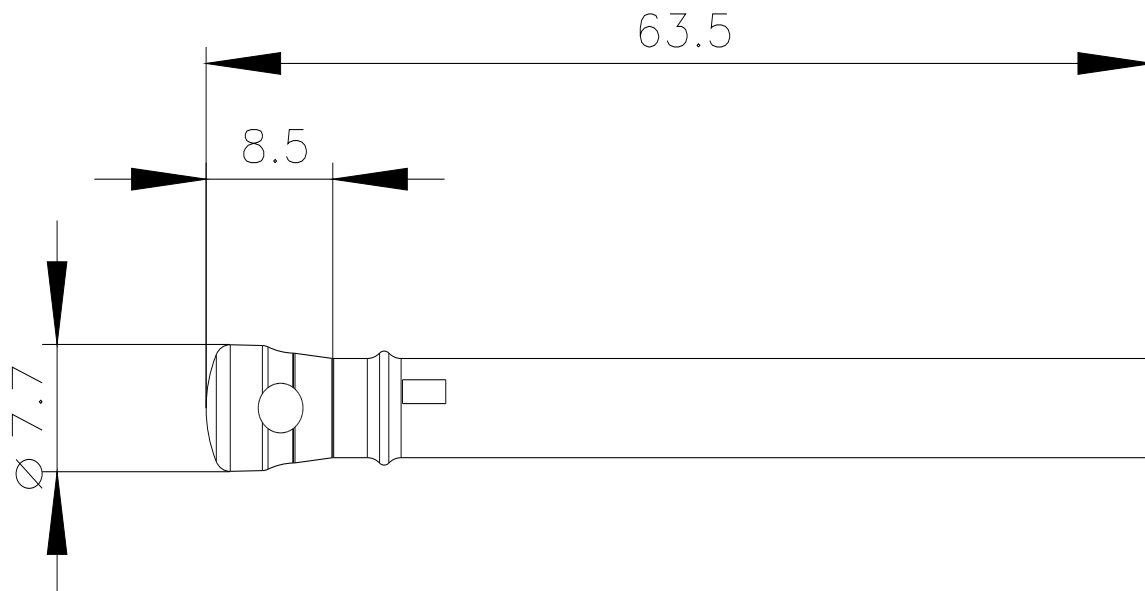
<https://support.automation.siemens.com/WW/CAXorder/default.aspx?lang=en&mlfb=3SU1900-0FW30-0AA0>

Service&Support (Manuals, Certificates, Characteristics, FAQs,...)

<https://support.industry.siemens.com/cs/ww/en/ps/3SU1900-0FW30-0AA0>

Image database (product images, 2D dimension drawings, 3D models, device circuit diagrams, EPLAN macros, ...)

https://www.automation.siemens.com/bilddb/cax_de.aspx?mlfb=3SU1900-0FW30-0AA0&lang=en



last modified:

4/2/2025

TURLL

YOUR GLOBAL AUTOMATION PARTNER

3SU1900-0FW30-0AA0

OFFICIAL DATASHEET & QUOTATION

- 100% New & Original Factory Sealed
- Global Express Shipping (DHL/FedEx/UPS)
- 12-Month Warranty Protection
- Professional Technical Support

[CHECK STOCK & PRICE](#)



Need Assistance? Scan to Chat on WhatsApp

sales@turl.com | +852 6339 7344