

## Data sheet

## 3SU1901-0BD31-0NB0



Washer round for EMERGENCY STOP mushroom-type actuator, yellow, illuminated, thickness 5 mm, outer diameter 60 mm, inside diameter 23 mm, with inscription: NOT-HALT, 4 languages: DE,EN,IT,SP

product brand name	SIRIUS ACT	
product designation	EMERGENCY STOP backing plate	
design of the product	illuminated (6-24 V AC/DC)	
product type designation	3SU1	
<b>General technical data</b>		
protection class IP	IP65	
degree of protection NEMA rating	1, 2, 3R, 12, 13	
shock resistance for railway applications according to EN 61373	Category 1, Class B	
vibration resistance for railway applications according to EN 61373	Category 1, Class B	
Substance Prohibitation (Date)	10/01/2014	
Net Weight	18 g	
<b>Ambient conditions</b>		
ambient temperature		
• during operation	70 ... -25 °C	
• during storage and transport	80 ... -40 °C	
<b>Environmental footprint</b>		
Environmental Product Declaration (EPD)	Yes	
global warming potential [CO2 eq] total	0.787 kg	
global warming potential [CO2 eq] during manufacturing	0.566 kg	
global warming potential [CO2 eq] during operation	0.235 kg	
global warming potential [CO2 eq] after end of life	-0.015 kg	
<b>Accessories</b>		
material of accessory	Plastic	
fastening method of label	stick	
marking of backing plate	NOT-HALT, EMERGENCY STOP, EMERGENZA, EMERGENCIA (de, en, it, sp)	
shape of backing plate	Round	
color of backing plate	yellow (plate); black (text)	
product function illuminated backing plate	Yes	
<b>Approvals Certificates</b>		
General Product Approval	Test Certificates	other

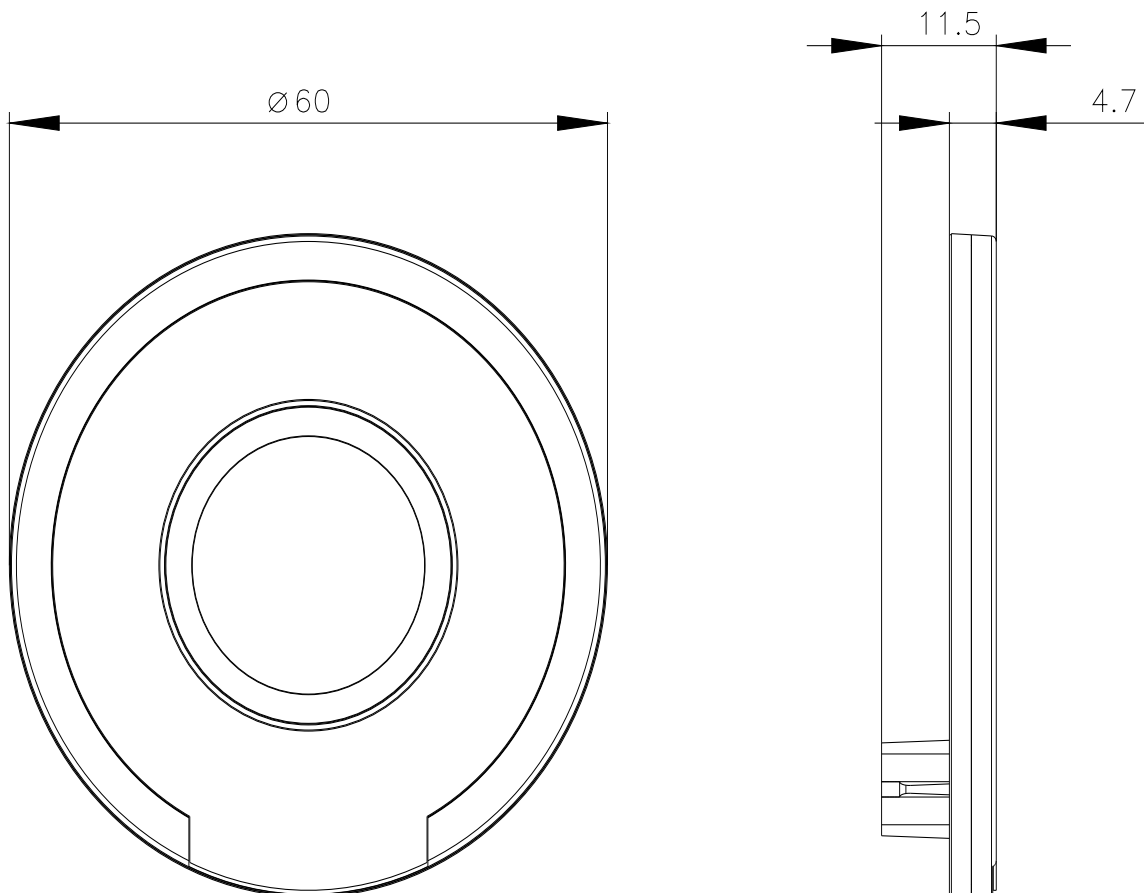


[Type Test Certificates/Test Report](#)



other

Environment

[Confirmation](#)Siemens  
EcoTech[Environmental Con-  
firmations](#)**Further information****Information on the packaging**<https://support.industry.siemens.com/cs/ww/en/view/109813875>**Information for data generation and storage**<https://support.industry.siemens.com/cs/ww/en/view/109995012>**Information- and Downloadcenter (Catalogs, Brochures,...)**<https://www.siemens.com/ic10>**Industry Mall (Online ordering system)**<https://mall.industry.siemens.com/mall/en/en/Catalog/product?mlfb=3SU1901-0BD31-0NB0>**Cax online generator**<https://support.automation.siemens.com/WW/CAXorder/default.aspx?lang=en&mlfb=3SU1901-0BD31-0NB0>**Service&Support (Manuals, Certificates, Characteristics, FAQs,...)**<https://support.industry.siemens.com/cs/ww/en/ps/3SU1901-0BD31-0NB0>**Image database (product images, 2D dimension drawings, 3D models, device circuit diagrams, EPLAN macros, ...)**[https://www.automation.siemens.com/bilddb/cax\\_de.aspx?mlfb=3SU1901-0BD31-0NB0&lang=en](https://www.automation.siemens.com/bilddb/cax_de.aspx?mlfb=3SU1901-0BD31-0NB0&lang=en)

last modified:

4/2/2025

# TURLL

YOUR GLOBAL AUTOMATION PARTNER

## 3SU1901-0BD31-0NB0

OFFICIAL DATASHEET & QUOTATION

- 100% New & Original Factory Sealed
- Global Express Shipping (DHL/FedEx/UPS)
- 12-Month Warranty Protection
- Professional Technical Support

[CHECK STOCK & PRICE](#)



Need Assistance? Scan to Chat on WhatsApp

[sales@turl.com](mailto:sales@turl.com) | +852 6339 7344