

# SIEMENS

## Data sheet

## 3SU1950-0GA80-0AA0

USB type A 3.0 port, 22 mm, metal shiny, silver



product brand name	SIRIUS ACT
product designation	USB Type A port
design of the product	USB 3.0
product type designation	3SU1
product line	Metal, shiny, 22 mm
<b>Actuator</b>	
outer diameter of the actuating element	29.45 mm
<b>General technical data</b>	
protection class IP	IP65
Substance Prohibittance (Date)	10/01/2014
Net Weight	46 g
<b>Ambient conditions</b>	
ambient temperature	
• during operation	70 ... -25 °C
• during storage and transport	-40 ... +80 °C
<b>Environmental footprint</b>	
Environmental Product Declaration(EPD)	Yes
global warming potential [CO2 eq] total	0.593 kg
global warming potential [CO2 eq] during manufacturing	0.625 kg
global warming potential [CO2 eq] during operation	0.235 kg
global warming potential [CO2 eq] after end of life	-0.267 kg
<b>Installation/ mounting/ dimensions</b>	
shape of the installation opening	round
mounting diameter	22.3 mm
mounting height	11.7 mm
installation width	29.45 mm
installation depth	28.35 mm
<b>Accessories</b>	
material of accessory	Metal
color of accessory	Silver
<b>Approvals Certificates</b>	
General Product Approval	Test Certificates



[Type Test Certificates/Test Report](#)

Maritime application

other


[Confirmation](#)

## Environment



Siemens  
EcoTech



[Environmental Con-  
firmations](#)

## Further information

### Information on the packaging

<https://support.industry.siemens.com/cs/ww/en/view/109813875>

### Information for data generation and storage

<https://support.industry.siemens.com/cs/ww/en/view/109995012>

### Information- and Downloadcenter (Catalogs, Brochures,...)

<https://www.siemens.com/ic10>

### Industry Mall (Online ordering system)

<https://mall.industry.siemens.com/mall/en/en/Catalog/product?mlfb=3SU1950-0GA80-0AA0>

### Cax online generator

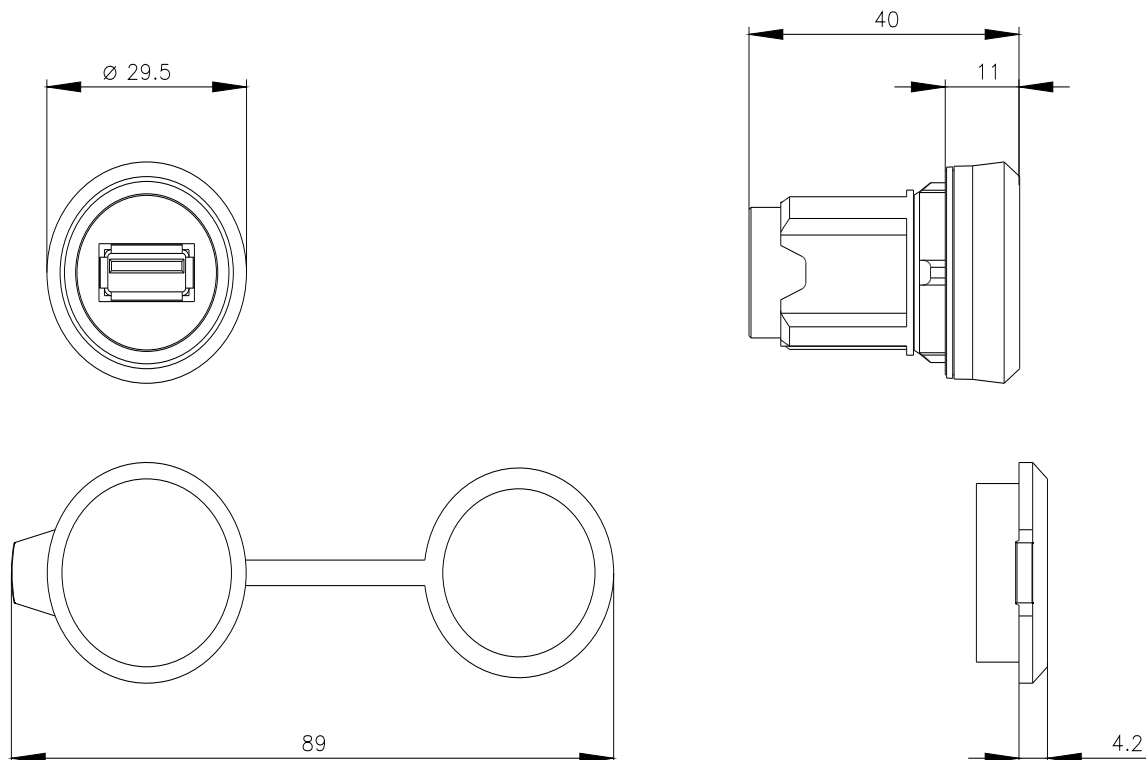
<https://support.automation.siemens.com/WW/CAXorder/default.aspx?lang=en&mlfb=3SU1950-0GA80-0AA0>

### Service&Support (Manuals, Certificates, Characteristics, FAQs,...)

<https://support.industry.siemens.com/cs/ww/en/ps/3SU1950-0GA80-0AA0>

### Image database (product images, 2D dimension drawings, 3D models, device circuit diagrams, EPLAN macros, ...)

[https://www.automation.siemens.com/bilddb/cax\\_de.aspx?mlfb=3SU1950-0GA80-0AA0&lang=en](https://www.automation.siemens.com/bilddb/cax_de.aspx?mlfb=3SU1950-0GA80-0AA0&lang=en)



last modified:

4/17/2025

# TURLL

YOUR GLOBAL AUTOMATION PARTNER

## 3SU1950-0GA80-0AA0

OFFICIAL DATASHEET & QUOTATION

- 100% New & Original Factory Sealed
- Global Express Shipping (DHL/FedEx/UPS)
- 12-Month Warranty Protection
- Professional Technical Support

[CHECK STOCK & PRICE](#)



Need Assistance? Scan to Chat on WhatsApp

[sales@turl.com](mailto:sales@turl.com) | +852 6339 7344