






Data sheet

3SU1960-0FA80-0AA0



Sealing plug for Free control points, 30 mm, Metal matt, sand gray

product brand name	SIRIUS ACT		
product designation	Sealing plug		
product type designation	3SU1		
Actuator			
shape of the actuating element	round		
outer diameter of the actuating element	38 mm		
General technical data			
protection class IP	IP66, IP67, IP69(IP69K)		
degree of protection NEMA rating	1, 2, 3, 3R, 4, 4X, 12		
reference code according to IEC 81346-2	S		
Substance Prohibittance (Date)	10/01/2014		
Net Weight	70 g		
Ambient conditions			
ambient temperature	<ul style="list-style-type: none"> during operation 70 ... -25 °C during storage and transport -40 ... +80 °C 		
environmental category during operation according to IEC 60721	3M6, 3S2, 3B2, 3C3, 3K6 (with relative air humidity of 10 ... 95%)		
Installation/ mounting/ dimensions			
shape of the installation opening	round		
mounting diameter	30.5 mm		
positive tolerance of installation diameter	0.4 mm		
mounting height	5.3 mm		
installation width	38 mm		
installation depth	31.3 mm		
Accessories			
material of accessory	Metal matt		
color of accessory	sand gray		
Approvals Certificates			
General Product Approval	Test Certificates	Maritime application	
 EG-Konf.			Type Test Certificates/Test Report
			 LRS
Maritime application	other	Environment	


[Confirmation](#)
[Environmental Con-
firmations](#)

Further information

Information on the packaging

<https://support.industry.siemens.com/cs/ww/en/view/109813875>

Information for data generation and storage

<https://support.industry.siemens.com/cs/ww/en/view/109995012>

Information- and Downloadcenter (Catalogs, Brochures,...)

<https://www.siemens.com/ic10>

Industry Mall (Online ordering system)

<https://mall.industry.siemens.com/mall/en/en/Catalog/product?mlfb=3SU1960-0FA80-0AA0>

Cax online generator

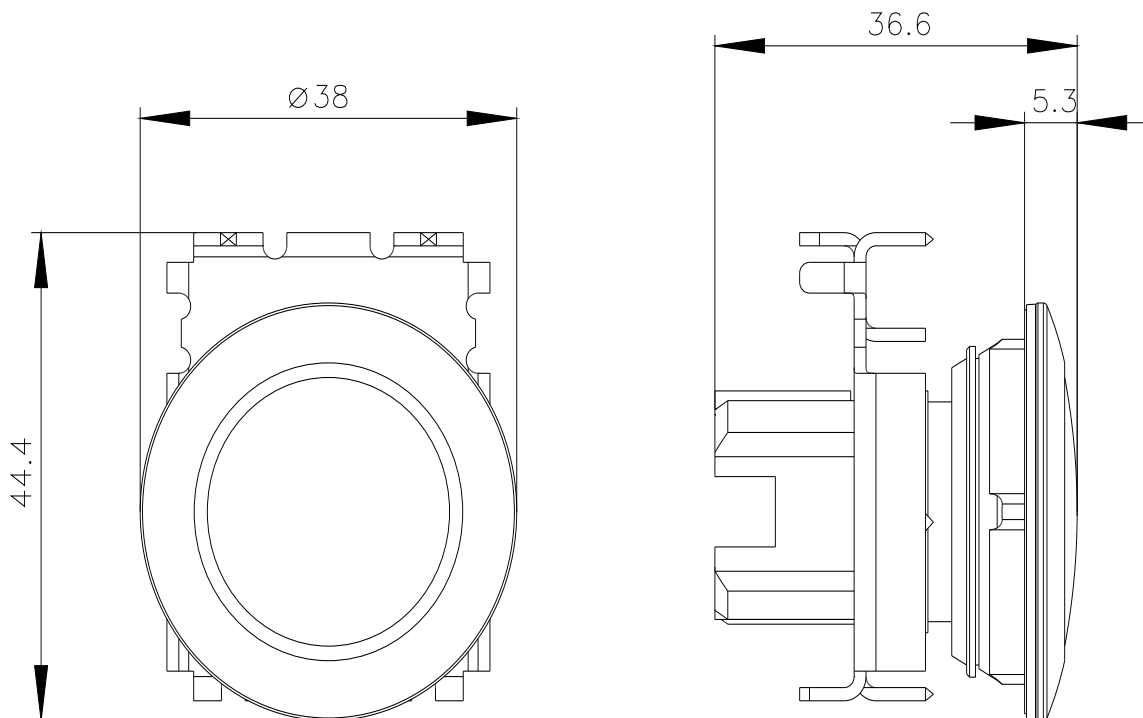
<https://support.automation.siemens.com/WW/CAXorder/default.aspx?lang=en&mlfb=3SU1960-0FA80-0AA0>

Service&Support (Manuals, Certificates, Characteristics, FAQs,...)

<https://support.industry.siemens.com/cs/ww/en/ps/3SU1960-0FA80-0AA0>

Image database (product images, 2D dimension drawings, 3D models, device circuit diagrams, EPLAN macros, ...)

https://www.automation.siemens.com/bilddb/cax_de.aspx?mlfb=3SU1960-0FA80-0AA0&lang=en



last modified:

4/2/2025

TURLL

YOUR GLOBAL AUTOMATION PARTNER

3SU1960-0FA80-0AA0

OFFICIAL DATASHEET & QUOTATION

- 100% New & Original Factory Sealed
- Global Express Shipping (DHL/FedEx/UPS)
- 12-Month Warranty Protection
- Professional Technical Support

[CHECK STOCK & PRICE](#)



Need Assistance? Scan to Chat on WhatsApp

sales@turl.com | +852 6339 7344