

SIEMENS

Data sheet

3SU1960-0GB80-0AA0



RJ45 connection: 30 mm, Metal matt, sand gray

product brand name	SIRIUS ACT	
product designation	RJ45 connection	
design of the product	RJ45 Cat. 5e	
product type designation	3SU1	
product line	Metal, matt, flat, 30 mm	
Actuator		
outer diameter of the actuating element	38 mm	
General technical data		
protection class IP	IP65	
Substance Prohibittance (Date)	10/01/2014	
Net Weight	73 g	
Ambient conditions		
ambient temperature		
• during operation	70 ... -25 °C	
• during storage and transport	-40 ... +80 °C	
Installation/ mounting/ dimensions		
shape of the installation opening	round	
mounting diameter	30.5 mm	
mounting height	5 mm	
installation width	38 mm	
installation depth	35.25 mm	
Accessories		
material of accessory	Metal	
color of accessory	sand gray	
Approvals Certificates		
General Product Approval	Test Certificates	Maritime application



EG-Konf.



cURus



[Type Test Certificates/Test Report](#)



Maritime application

other

Environment



LRS



PRS



RINA



[Confirmation](#)

[Environmental Confirmations](#)

Further information

Information on the packaging

<https://support.industry.siemens.com/cs/ww/en/view/109813875>

Information for data generation and storage

<https://support.industry.siemens.com/cs/ww/en/view/109995012>

Information- and Downloadcenter (Catalogs, Brochures,...)

<https://www.siemens.com/ic10>

Industry Mall (Online ordering system)

<https://mall.industry.siemens.com/mall/en/en/Catalog/product?mlfb=3SU1960-0GB80-0AA0>

Cax online generator

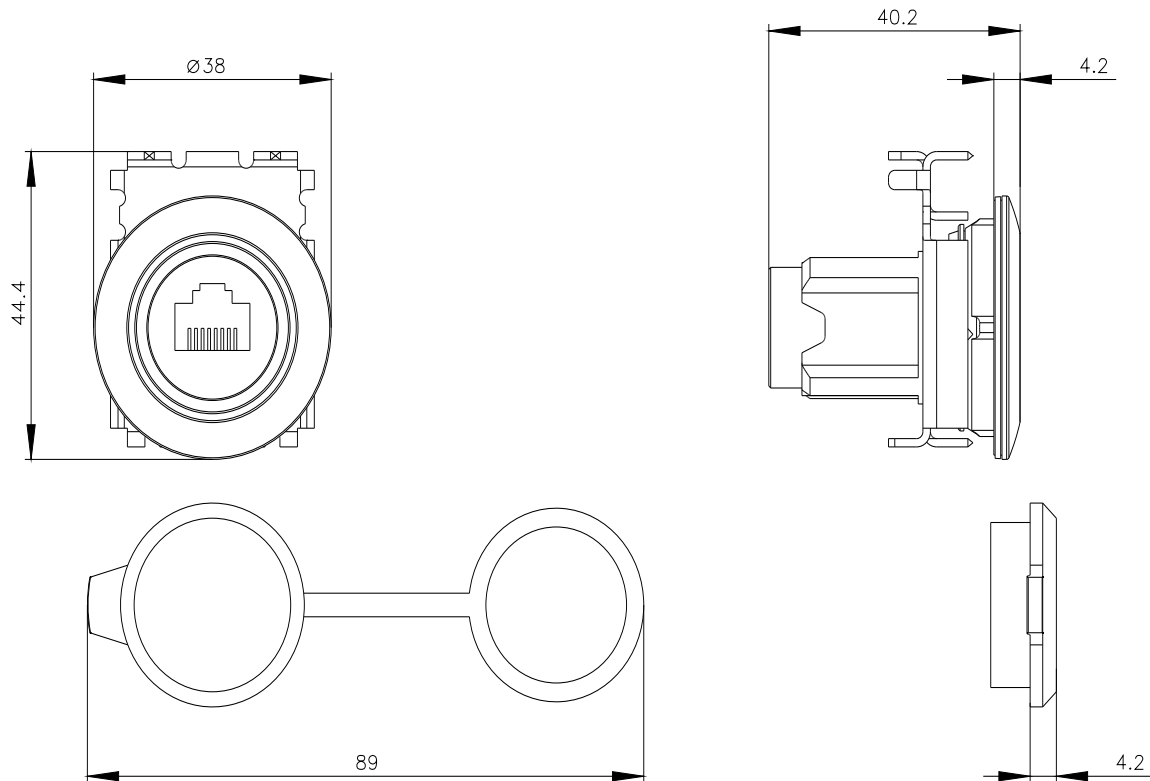
<https://support.automation.siemens.com/WW/CAXorder/default.aspx?lang=en&mlfb=3SU1960-0GB80-0AA0>

Service&Support (Manuals, Certificates, Characteristics, FAQs,...)

<https://support.industry.siemens.com/cs/ww/en/ps/3SU1960-0GB80-0AA0>

Image database (product images, 2D dimension drawings, 3D models, device circuit diagrams, EPLAN macros, ...)

https://www.automation.siemens.com/bilddb/cax_de.aspx?mlfb=3SU1960-0GB80-0AA0&lang=en



last modified:

4/15/2025 

TURLL

YOUR GLOBAL AUTOMATION PARTNER

3SU1960-0GB80-0AA0

OFFICIAL DATASHEET & QUOTATION

- 100% New & Original Factory Sealed
- Global Express Shipping (DHL/FedEx/UPS)
- 12-Month Warranty Protection
- Professional Technical Support

[CHECK STOCK & PRICE](#)



Need Assistance? Scan to Chat on WhatsApp

sales@turl.com | +852 6339 7344