



power contactor, AC-3, 12 A, 5.5 kW / 400 V, 4-pole, 48 V DC, main contacts: 2 NO + 2 NC, spring-loaded terminal, size: S00

product brand name	SIRIUS
product designation	contactor
product type designation	3RT25
<b>General technical data</b>	
size of contactor	S00
product extension	
<ul style="list-style-type: none"> <li>function module for communication</li> <li>auxiliary switch</li> </ul>	No Yes
power loss [W] for rated value of the current	
<ul style="list-style-type: none"> <li>at AC in hot operating state per pole</li> <li>without load current share typical</li> </ul>	0.5 W 4 W
type of calculation of power loss depending on pole	quadratic
insulation voltage	
<ul style="list-style-type: none"> <li>of main circuit with degree of pollution 3 rated value</li> <li>of auxiliary circuit with degree of pollution 3 rated value</li> </ul>	690 V 690 V
surge voltage resistance	
<ul style="list-style-type: none"> <li>of main circuit rated value</li> <li>of auxiliary circuit rated value</li> </ul>	6 kV 6 kV
maximum permissible voltage for protective separation between coil and main contacts according to EN 60947-1	400 V
shock resistance at rectangular impulse	
<ul style="list-style-type: none"> <li>at DC</li> </ul>	7.3g / 5 ms, 4.7g / 10 ms
shock resistance with sine pulse	
<ul style="list-style-type: none"> <li>at DC</li> </ul>	11,4g / 5 ms, 7,3g / 10 ms
mechanical service life (operating cycles)	
<ul style="list-style-type: none"> <li>of contactor typical</li> <li>of the contactor with added electronically optimized auxiliary switch block typical</li> <li>of the contactor with added auxiliary switch block typical</li> </ul>	30 000 000 5 000 000 10 000 000
reference code according to IEC 81346-2	Q
Substance Prohibitance (Date)	10/01/2009
Net Weight	0.308 kg
<b>Ambient conditions</b>	
installation altitude at height above sea level maximum	2 000 m
ambient temperature	
<ul style="list-style-type: none"> <li>during operation</li> <li>during storage</li> </ul>	-25 ... +60 °C -55 ... +80 °C
relative humidity minimum	10 %
relative humidity at 55 °C according to IEC 60068-2-30 maximum	95 %

Environmental footprint	
Environmental Product Declaration(EPD)	Yes
global warming potential [CO2 eq] total	153 kg
global warming potential [CO2 eq] during manufacturing	1.42 kg
global warming potential [CO2 eq] during operation	152 kg
global warming potential [CO2 eq] after end of life	-0.305 kg
Main circuit	
<b>number of poles for main current circuit</b>	4
<b>number of NO contacts for main contacts</b>	2
<b>number of NC contacts for main contacts</b>	2
<b>operational current</b>	
<ul style="list-style-type: none"> <li>● at AC-1 up to 690 V <ul style="list-style-type: none"> <li>— at ambient temperature 40 °C rated value</li> <li>— at ambient temperature 60 °C rated value</li> </ul> </li> <li>● at AC-2 at AC-3 at 400 V <ul style="list-style-type: none"> <li>— per NO contact rated value</li> <li>— per NC contact rated value</li> </ul> </li> </ul>	22 A 20 A 12 A 9 A
minimum cross-section in main circuit at maximum AC-1 rated value	4 mm <sup>2</sup>
<b>operational current</b>	
<ul style="list-style-type: none"> <li>● <b>at 1 current path at DC-1</b> <ul style="list-style-type: none"> <li>— at 24 V rated value</li> <li>— at 110 V rated value</li> <li>— at 220 V rated value</li> <li>— at 440 V rated value</li> </ul> </li> <li>● <b>with 2 current paths in series at DC-1</b> <ul style="list-style-type: none"> <li>— at 24 V rated value</li> <li>— at 110 V rated value</li> <li>— at 220 V rated value</li> <li>— at 440 V rated value</li> </ul> </li> <li>● <b>at 1 current path at DC-3 at DC-5</b> <ul style="list-style-type: none"> <li>— at 24 V per NC contact rated value</li> <li>— at 24 V per NO contact rated value</li> <li>— at 110 V per NC contact rated value</li> <li>— at 110 V per NO contact rated value</li> <li>— at 220 V per NC contact rated value</li> <li>— at 220 V per NO contact rated value</li> </ul> </li> <li>● <b>with 2 current paths in series at DC-3 at DC-5</b> <ul style="list-style-type: none"> <li>— at 24 V per NC contact rated value</li> <li>— at 24 V per NO contact rated value</li> <li>— at 110 V per NC contact rated value</li> <li>— at 110 V per NO contact rated value</li> </ul> </li> </ul>	20 A 2.1 A 0.8 A 0.6 A 20 A 12 A 1.6 A 0.8 A 20 A 20 A 0.075 A 0.15 A 0.375 A 0.75 A 20 A 20 A 0.175 A 0.35 A
operating power at AC-2 at AC-3	
<ul style="list-style-type: none"> <li>● at 230 V per NC contact rated value</li> <li>● at 230 V per NO contact rated value</li> <li>● at 400 V per NC contact rated value</li> <li>● at 400 V per NO contact rated value</li> </ul>	2.2 kW 3 kW 4 kW 5.5 kW
<b>short-time withstand current in cold operating state up to 40 °C</b>	
<ul style="list-style-type: none"> <li>● limited to 1 s switching at zero current maximum</li> <li>● limited to 5 s switching at zero current maximum</li> <li>● limited to 10 s switching at zero current maximum</li> <li>● limited to 30 s switching at zero current maximum</li> <li>● limited to 60 s switching at zero current maximum</li> </ul>	125 A; Use minimum cross-section acc. to AC-1 rated value 123 A; Use minimum cross-section acc. to AC-1 rated value 96 A; Use minimum cross-section acc. to AC-1 rated value 74 A; Use minimum cross-section acc. to AC-1 rated value 61 A; Use minimum cross-section acc. to AC-1 rated value
<b>power loss [W] at AC-3 at 400 V for rated value of the operational current per conductor</b>	0.5 W
<b>power loss [W] at AC-3e at 400 V for rated value of the operational current per conductor</b>	0.5 W
<b>no-load switching frequency</b>	
<ul style="list-style-type: none"> <li>● at AC</li> </ul>	10 000 1/h

• at DC	10 000 1/h
<b>operating frequency</b>	
• at AC-1 maximum	1 000 1/h
<b>Control circuit/ Control</b>	
<b>type of voltage of the control supply voltage</b>	DC
<b>control supply voltage at DC rated value</b>	48 V
<b>operating range factor control supply voltage rated value of magnet coil at DC</b>	
• initial value	0.8
• full-scale value	1.1
<b>closing power of magnet coil at DC</b>	4 W
<b>holding power of magnet coil at DC</b>	4 W
<b>closing delay</b>	
• at DC	30 ... 100 ms
<b>opening delay</b>	
• at DC	7 ... 13 ms
<b>arcing time</b>	10 ... 15 ms
<b>Auxiliary circuit</b>	
number of NC contacts for auxiliary contacts instantaneous contact	0
number of NO contacts for auxiliary contacts instantaneous contact	0
operational current at AC-12 maximum	10 A
<b>operational current at AC-15</b>	
• at 230 V rated value	10 A
• at 400 V rated value	3 A
<b>operational current at DC-12</b>	
• at 48 V rated value	6 A
• at 60 V rated value	6 A
• at 110 V rated value	3 A
• at 125 V rated value	2 A
• at 220 V rated value	1 A
• at 600 V rated value	0.15 A
<b>operational current at DC-13</b>	
• at 24 V rated value	10 A
• at 48 V rated value	2 A
• at 60 V rated value	2 A
• at 110 V rated value	1 A
• at 220 V rated value	0.3 A
• at 600 V rated value	0.1 A
<b>contact reliability of auxiliary contacts</b>	1 faulty switching per 100 million (17 V, 1 mA)
<b>UL/CSA ratings</b>	
<b>yielded mechanical performance [hp]</b>	
• for single-phase AC motor at 230 V rated value	2 hp
• for 3-phase AC motor at 460/480 V rated value	5 hp
<b>contact rating of auxiliary contacts according to UL</b>	A600 / Q600
<b>Short-circuit protection</b>	
<b>design of the fuse link</b>	
• for short-circuit protection of the main circuit	
— with type of coordination 1 required	gG: 35 A (690 V, 100 kA)
— with type of coordination 2 required	gG: 20 A (690 V, 100 kA)
<b>Installation/ mounting/ dimensions</b>	
<b>mounting position</b>	+/-180° rotation possible on vertical mounting surface; can be tilted forward and backward by +/- 22.5° on vertical mounting surface
fastening method side-by-side mounting	Yes
<b>fastening method</b>	screw and snap-on mounting onto 35 mm DIN rail according to DIN EN 50022
<b>height</b>	70 mm
<b>width</b>	45 mm
<b>depth</b>	73 mm
<b>required spacing</b>	

- with side-by-side mounting
  - forwards 0 mm
  - backwards 0 mm
  - upwards 0 mm
  - downwards 0 mm
  - at the side 0 mm
- for grounded parts
  - forwards 0 mm
  - backwards 0 mm
  - upwards 0 mm
  - at the side 6 mm
  - downwards 0 mm
- for live parts
  - forwards 0 mm
  - backwards 0 mm
  - upwards 0 mm
  - downwards 0 mm
  - at the side 6 mm

**Connections/ Terminals**

<b>type of electrical connection</b> <ul style="list-style-type: none"> <li>• for main current circuit</li> <li>• for auxiliary and control circuit</li> <li>• at contactor for auxiliary contacts</li> <li>• of magnet coil</li> </ul>	spring-loaded terminals spring-loaded terminals Spring-type terminals Spring-type terminals
<b>type of connectable conductor cross-sections</b> <ul style="list-style-type: none"> <li>• for main contacts                         <ul style="list-style-type: none"> <li>— solid 2x (0.5 ... 4 mm<sup>2</sup>)</li> <li>— solid or stranded 2x (0,5 ... 4 mm<sup>2</sup>)</li> <li>— finely stranded with core end processing 2x (0.5 ... 2.5 mm<sup>2</sup>)</li> <li>— finely stranded without core end processing 2x (0.5 ... 2.5 mm<sup>2</sup>)</li> </ul> </li> <li>• for AWG cables for main contacts 2x (20 ... 12)</li> </ul>	
<b>type of connectable conductor cross-sections</b> <ul style="list-style-type: none"> <li>• for auxiliary contacts                         <ul style="list-style-type: none"> <li>— solid 2x (0.5 ... 4 mm<sup>2</sup>)</li> <li>— solid or stranded 2x (0,5 ... 4 mm<sup>2</sup>)</li> <li>— finely stranded with core end processing 2x (0.5 ... 2.5 mm<sup>2</sup>)</li> <li>— finely stranded without core end processing 2x (0.5 ... 2.5 mm<sup>2</sup>)</li> </ul> </li> <li>• for AWG cables for auxiliary contacts 2x (20 ... 12)</li> </ul>	
<b>AWG number as coded connectable conductor cross section for main contacts</b>	20 ... 12
<b>AWG number as coded connectable conductor cross section for auxiliary contacts</b>	20 ... 12

**Safety related data**

<b>product function</b> <ul style="list-style-type: none"> <li>• mirror contact according to IEC 60947-4-1</li> <li>• positively driven operation according to IEC 60947-5-1</li> </ul>	Yes; with 3RH29 No
---	-----------------------

**Electrical Safety**

<b>protection class IP on the front according to IEC 60529</b>	IP20
<b>touch protection on the front according to IEC 60529</b>	finger-safe, for vertical contact from the front

**Approvals Certificates**

<b>General Product Approval</b>	EMV
---------------------------------	-----



<b>Test Certificates</b>	Maritime application
--------------------------	----------------------

[Type Test Certificates/Test Report](#)

[Special Test Certificate](#)



**Maritime application** **other**



[Miscellaneous](#)



[Confirmation](#)

**Railway** **Dangerous goods** **Environment**

[Special Test Certificate](#)

[Transport Information](#)



[Environmental Confirmations](#)

**Further information**

**Information on the packaging**

<https://support.industry.siemens.com/cs/ww/en/view/109813875>

**Information for data generation and storage**

<https://support.industry.siemens.com/cs/ww/en/view/109995012>

**Information- and Downloadcenter (Catalogs, Brochures,...)**

<https://www.siemens.com/ic10>

**Industry Mall (Online ordering system)**

<https://mall.industry.siemens.com/mall/en/en/Catalog/product?mlfb=3RT2517-2BW40>

**Cax online generator**

<https://support.automation.siemens.com/WW/CAXorder/default.aspx?lang=en&mlfb=3RT2517-2BW40>

**Service&Support (Manuals, Certificates, Characteristics, FAQs,...)**

<https://support.industry.siemens.com/cs/ww/en/ps/3RT2517-2BW40>

**Image database (product images, 2D dimension drawings, 3D models, device circuit diagrams, EPLAN macros, ...)**

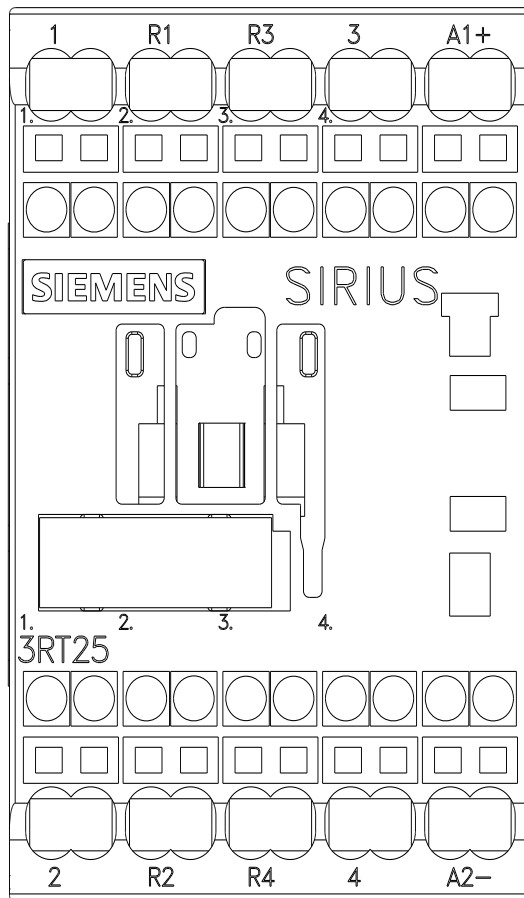
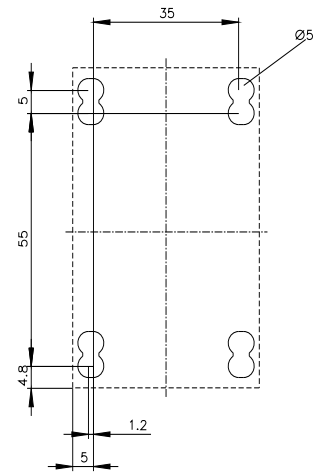
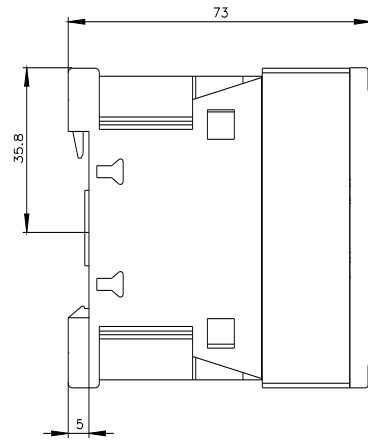
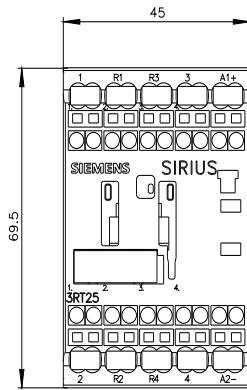
[https://www.automation.siemens.com/bilddb/cax\\_de.aspx?mlfb=3RT2517-2BW40&lang=en](https://www.automation.siemens.com/bilddb/cax_de.aspx?mlfb=3RT2517-2BW40&lang=en)

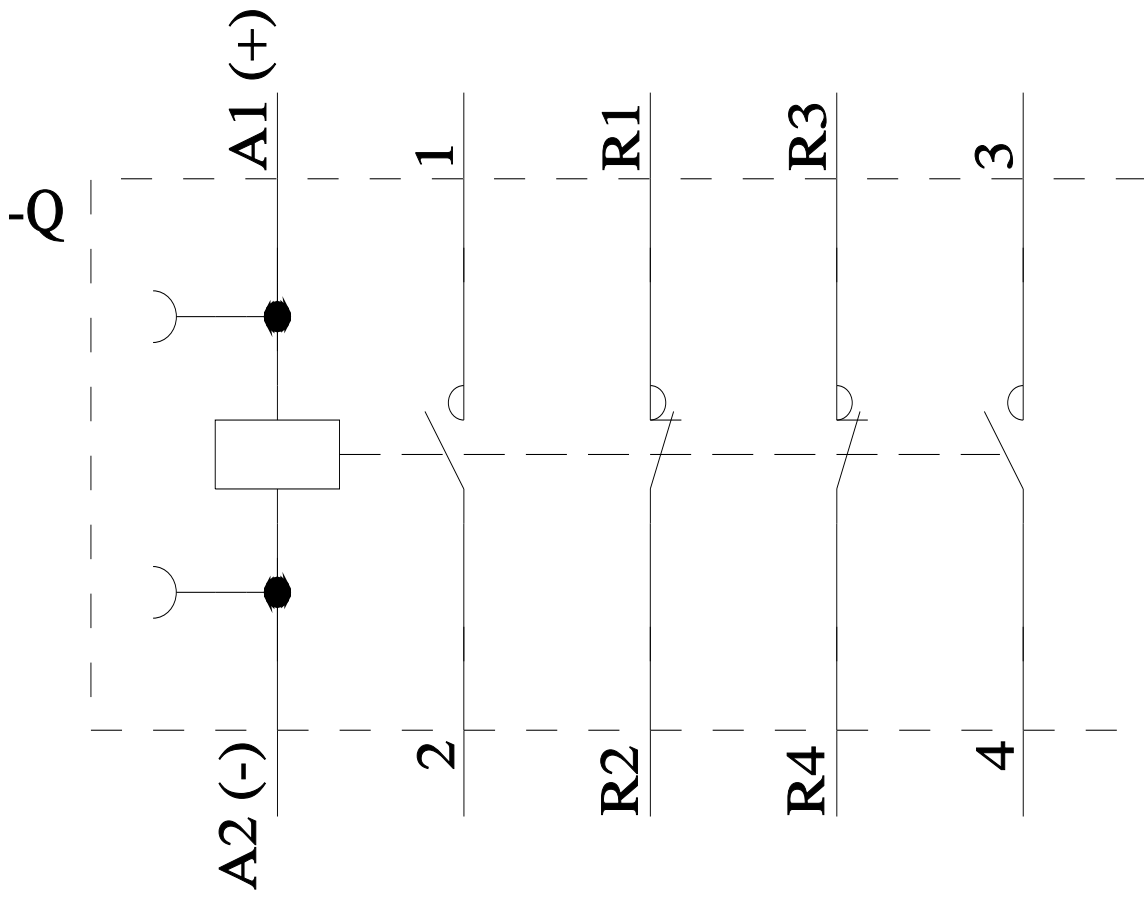
**Characteristic: Tripping characteristics, I<sup>2</sup>t, Let-through current**

<https://support.industry.siemens.com/cs/ww/en/ps/3RT2517-2BW40/char>

**Further characteristics (e.g. electrical endurance, switching frequency)**

<https://www.automation.siemens.com/bilddb/index.aspx?view=Search&mlfb=3RT2517-2BW40&objecttype=14&gridview=view1>





last modified:

11/11/2025

# TURLL

YOUR GLOBAL AUTOMATION PARTNER

## 3RT2517-2BW40

OFFICIAL DATASHEET & QUOTATION

- 100% New & Original Factory Sealed
- Global Express Shipping (DHL/FedEx/UPS)
- 12-Month Warranty Protection
- Professional Technical Support

[CHECK STOCK & PRICE](#)



Need Assistance? Scan to Chat on WhatsApp

sales@turl.com | +852 6339 7344